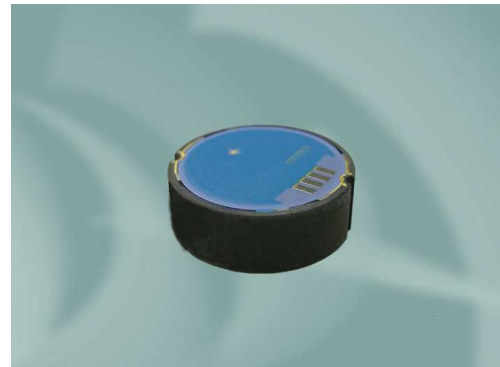


RESENZO

Sensoren und industrielle Regelungstechnik

Stainless Steel Pressure Sensor

SPS 1000



Features

- thick film on stainless steel
- pressure port integrated
- high burst pressure
- resistant against aggressive media
- offset/temperature compensated

Applications

- brake systems
- forklift trucks
- hydraulic
- cooling systems
- pressure transmitters
- pressure switches

General data

Sensor type	Monolithic sensor
Pressure type	Gauge pressure
Reference conditions	Temperature T_{ref} 25°C
	Supply voltage U_{ref} 10 Vdc

Electrical data

Supply voltage stabilised	≤ 30 Vdc
I_{max}	4 mA
Bridge resistance	$10 \pm 20\%$ k Ω
Isolation resistance	$>100M$ Ω

Pressure ranges

Pressure range p_{Nom} [bar]	Overload pressure P_s [bar]	Burst pressure p_b [bar]	Output voltage range [mV/V]	Acceptable min. pressure [bar]
0 ... 10	20	≥ 50	1,5 ... 3,5	Vacuum
0 ... 25	50	≥ 125	1,5 ... 3,5	
0 ... 40	80	≥ 200	1,5 ... 3,5	
0 ... 60	120	≥ 300	1,5 ... 3,5	
0 ... 100	200	≥ 500	1,5 ... 3,5	
0 ... 160	320	≥ 650	1,5 ... 3,5	
0 ... 250	500	≥ 750	1,5 ... 3,5	
0 ... 400	800	≥ 1200	1,5 ... 3,5	
0 ... 600	1200	≥ 1800	1,5 ... 3,5	
0 ... 1000	2000	≥ 2500	1,5 ... 3,5	

Resenso AG

Bahnhofstrasse 87

CH-3232 Ins

Tel. +41 (0) 32 313 75 30

Fax. +41 (0) 32 313 75 31

info@resenso.ch

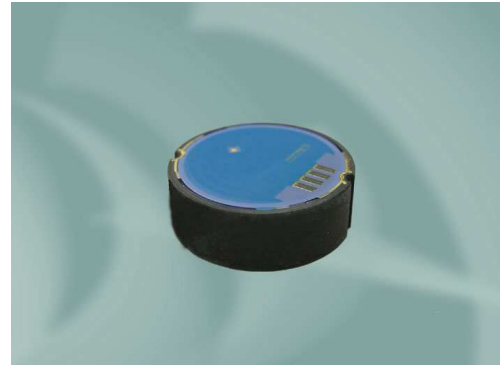
www.resenso.ch

RESENZO

Sensoren und industrielle Regelungstechnik

Stainless Steel Pressure Sensor

SPS 1000



Output data

Output voltage range	see pressure ranges
Offset range (mV/V)	- 0,5 ... 0 *)
Total error **)	$\leq \pm 0,5 \% \text{ FS typ.}$
Sum of non-linearity, hysteresis and non-repeatability **)	$\leq \pm 1,5 \% \text{ FS max.}$
Offset change after 1000h @ 125°C	$\leq \pm 0,4 \% \text{ FS/K}$
Influence of ambient temperature on offset TC - zero (0 ... 85°C)	$\leq \pm 0,05 \% \text{ FS/K *)}$
Influence of ambient temperature on span TC - span (0 ... 85°C)	$\leq \pm 0,03 \% \text{ FS/K}$

*) other data on request, minimum order quantity 150 pieces

***) terminal based according to DIN 16086; 2006-01

Environmental conditions

Nominal temperature range	- 40 ... + 125°C *)
Working temperature range	- 40 ... + 150°C *)
Storage temperature range	- 50 ... + 150°C *)
Material of parts in contact with pressure media	Stainless steel 1.4404

*) Pressure sensor without cable

Electrical connections

Soldering pads	pitch 2,54 mm
PVC flat ribbon	50,8 mm **)

***) other material or length on request, minimum order quantity 150 pcs

Dimensions

Diameter	18 ± 0,1 mm
Height	6,35 ± 0,05 mm

Resenso AG

Bahnhofstrasse 87

CH-3232 Ins

Tel. +41 (0) 32 313 75 30

Fax. +41 (0) 32 313 75 31

info@resenso.ch

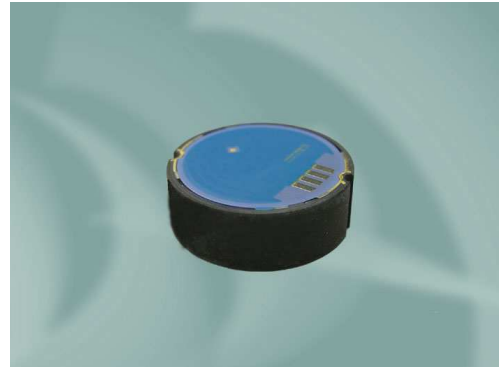
www.resenso.ch

RESENZO

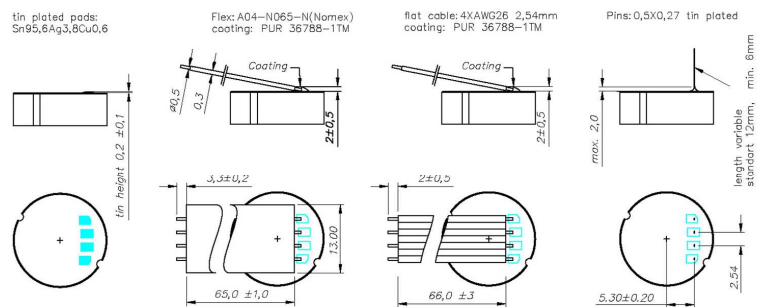
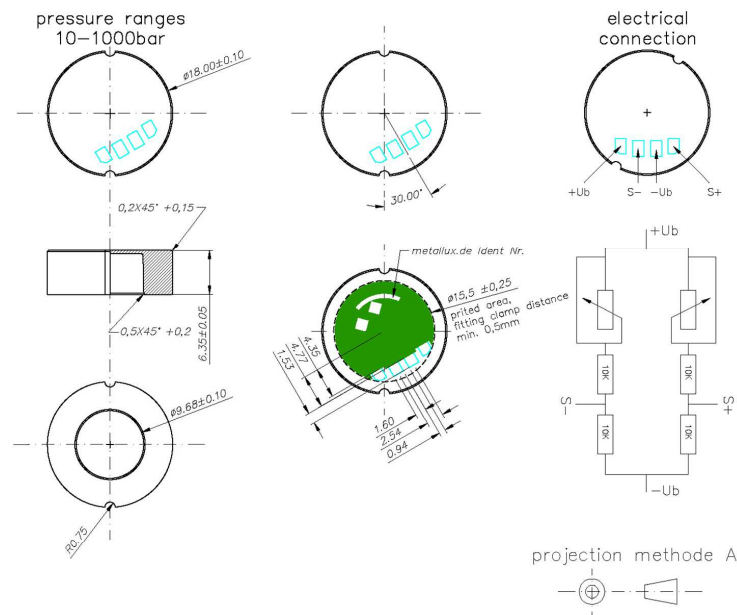
Sensoren und industrielle Regelungstechnik

Stainless Steel Pressure Sensor

SPS 1000



Dimensions



Resenzo AG

Bahnhofstrasse 87

CH-3232 Ins

Tel. +41 (0) 32 313 75 30

Fax. +41 (0) 32 313 75 31

info@resenzo.ch

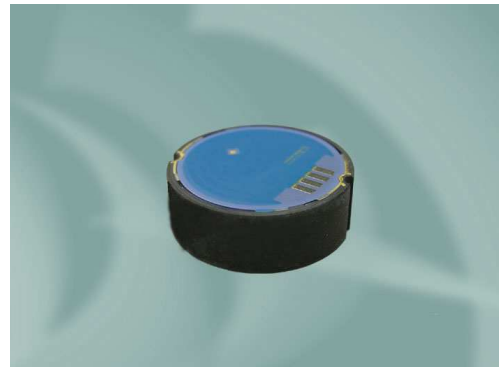
www.resenzo.ch

RESENZO

Sensoren und industrielle Regelungstechnik

Stainless Steel Pressure Sensor

SPS 1000



How to order

Type	Pressure range	Electr. connections
SPS 1000		