

LINEAR TRANSDUCER

Model WPL-OS

Profile 20 mm x 11 mm

10 Mio. Cycles

Conductive Plastic



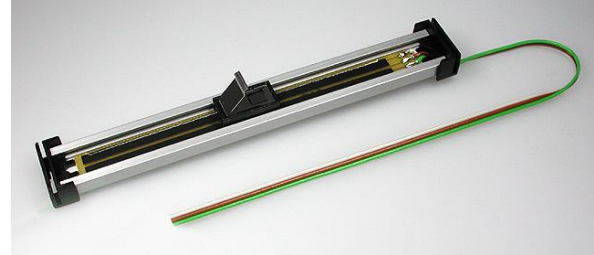
RESENZO
SMARTER SENSING AND CONTROL

Characteristics

- High integration possibilities
- Robust Construction
- Simple Mounting
- Electrical stroke from 30 - 400 mm

Application

- Medical Technology
- Cylinder stroke measurement
- Throttle system
- Valve control



| Electrical Data: | | Mechanical Data: | |
|--|---|------------------|-------------------|
| Resistance Range | 5k Ω / 100mm other values offered on request | Life Cycle | 10'000'000 Cycles |
| Resistance tolerance | \pm 20% | Repeatability | 0.05mm |
| Linearity | \pm 2 % optional +/- 0.5% | Adjustment Speed | max. 1 m/s |
| Power rating | 0.5 W at 40°C | IP rating | IP 00 |
| El. stroke | 30mm – 400mm | | |
| Resolution | essentially infinite | | |
| Max. End voltage | 1% | | |
| max. Wiper current | 10 mA im Störfall | | |
| Dem. Wiper current | < 0.001 mA | | |
| Insulation resistance | 10G Ω bei 500 VDC | | |
| Dielectric Voltage | 700 VAC | | |
| Temperature coefficient at Voltage divider | 20 ppm/°C | | |

| Environmental Conditions: | | Material: | |
|---------------------------|-----------------|-------------|-----------------------------|
| Storage Temperature | -25°C to +105°C | Housing | Aluminium anodised |
| Operational Temperature | -25°C to +85°C | Connections | Flat ribbon cable AWG 22-24 |
| Climatic rating | 25/085/56 | | |
| Vibration | 10G | | |
| Shock | 50G | | |

LINEAR TRANSDUCER

Model WPL-OS

Profile 20 mm x 11 mm

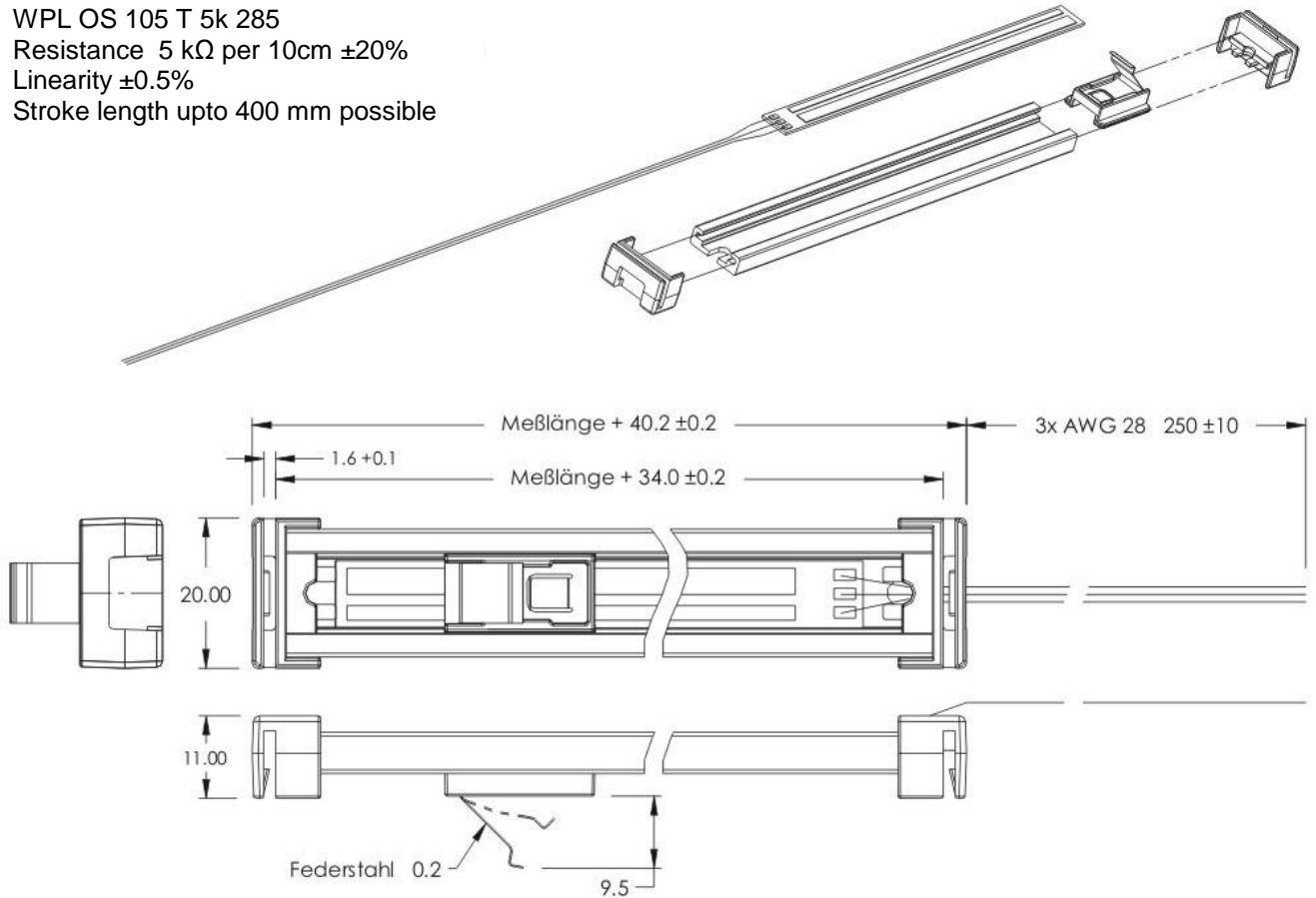
10 Mio. Cycles

Conductive Plastic



RESENZO
SMARTER SENSING AND CONTROL

WPL OS 105 T 5k 285
Resistance 5 kΩ per 10cm ±20%
Linearity ±0.5%
Stroke length upto 400 mm possible



W P L O S 1 0 5 T 5 K 2 8 5

| Model | | Measuring length | | Ohmic Value | Cable length |
|--|------------------|---|--------------------------|-------------------------------|---|
| W = Linear transducer P = Potentiometer L = Conductive plastic | OS = without rod | Eg. 105 mm Possible el. Length 30 – 400 mm | T= Linearize to +/- 0.5% | 5K Other values on request | 285mm ± 10 mm AWG 22-24 cut at the end |

note: Specifications are subject to change without notice