

RESENSEN

Sensoren und industrielle Regelungstechnik

Features

- excellent lifetime
- robust design
- small compact
- conductive plastic

Applications

- platform lifts
- remote controls
- forklift trucks
- hydraulic

Industrial Joystick Digital 1- and 2-axis Controller MJ-3K



Electrical Characteristics

Switch current	5 mA at 5 V *)
Versions	Digital 1 to 4 steps (1-0-1 to 4-0-4) ; 4-bit Gray-Code
Electrical angle	$> \pm 25^\circ$ *)
Centre detect switch / axis	$< \pm 3^\circ$ open, $> \pm 3^\circ$ closed
Power rating / axis	0,2 W at 40°
Operating voltage (VCC)	Max. 30 Vdc
Insulation resistance	1 G Ω at 500 Vdc
Dielectric withstanding voltage	2000 VAC

Mechanical Characteristics

Life time	2,5 Mio. cycles *)
Displacement angel	$< \pm 26^\circ$
Seal condition	IP65
Operating force	5 N typical *)
Coulisse	Quadratic *)
Middle position wiper	$\pm 1,5^\circ$
Impact force	100 N

Environment characteristics

Storage temperature	- 40°C + 85°C *)
Operating temperature	- 25°C ... + 70°C *)
Climatic class	25/085/56
Vibration	10 G
Shock	50 G

Material

Housing	Aluminium
Bearing	Stainless steel
Solder connections	Gold plated
Mounting	Screws M3

Specifications subject to change without notice

*) Other values on request

Resenso AG

Bahnhofstrasse 87

CH-3232 Ins

Tel. +41 (0) 32 313 75 30

Fax. +41 (0) 32 313 75 31

info@resenso.ch

www.resenso.ch

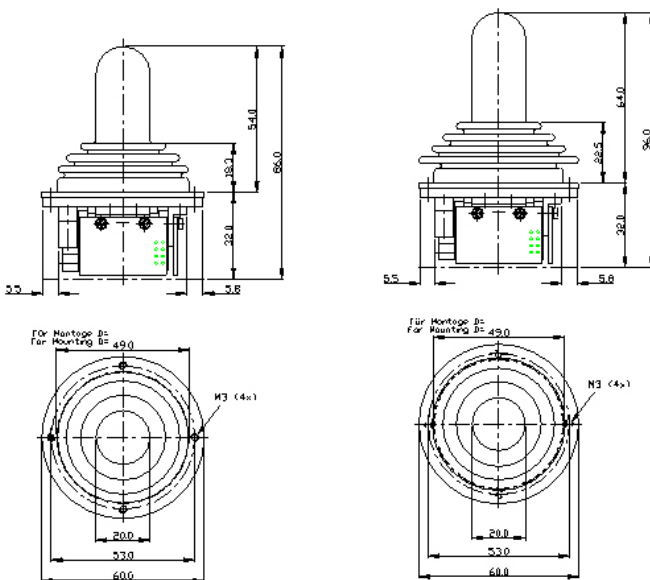
RESENSEN

Sensoren und industrielle Regelungstechnik

Industrial Joystick Digital 1- and 2-axis Controller MJ-3K



Dimensions



Options :

- Other resistance values
- Modified operating element
- Cable, connector
- Conductive plastic potentiometer element
- Mounting plate
- Switch in the operating element
- 3-axis

How to order

Type	Shaft length	Electr. output	Options
<div style="display: flex; justify-content: space-around; align-items: center;"> <div style="border: 1px solid black; padding: 2px 5px;">M</div> <div style="border: 1px solid black; padding: 2px 5px;">J</div> <div style="border: 1px solid black; padding: 2px 5px;">-</div> <div style="border: 1px solid black; padding: 2px 5px;">3</div> <div style="border: 1px solid black; padding: 2px 5px;">K</div> <div style="border: 1px solid black; padding: 2px 5px;">G</div> <div style="border: 1px solid black; padding: 2px 5px;">C</div> </div> <p>MJ-3K</p> <p>GC - Gray-Code D - Digital</p>	<div style="display: flex; justify-content: space-around; align-items: center;"> <div style="border: 1px solid black; padding: 2px 5px;">5</div> <div style="border: 1px solid black; padding: 2px 5px;">4</div> </div> <p>54 cm 64 cm</p>	<div style="display: flex; justify-content: space-around; align-items: center;"> <div style="border: 1px solid black; padding: 2px 5px;">4</div> <div style="border: 1px solid black; padding: 2px 5px;">0</div> <div style="border: 1px solid black; padding: 2px 5px;">4</div> </div> <p>X - 4-0-4 (4 steps Digital) Y - 4-0-1 (4 / 1 steps Digital)</p> <p>Further possibilities are available.</p>	<div style="border: 1px solid black; padding: 2px 5px; width: 30px; height: 30px; display: flex; align-items: center; justify-content: center;">X</div> <p>X - gray (Gray-Code) Y - gray (Gray-Code)</p>

Resenso AG

Bahnhofstrasse 87

CH-3232 Ins

Tel. +41 (0) 32 313 75 30

Fax. +41 (0) 32 313 75 31

info@resenso.ch

www.resenso.ch

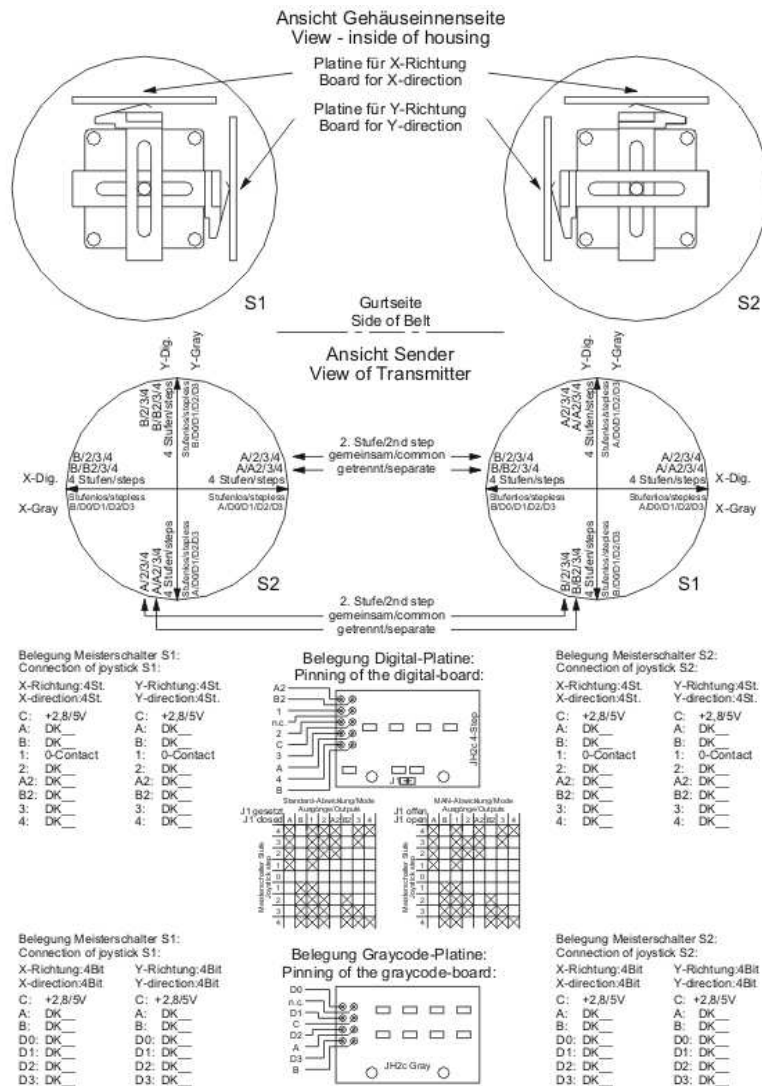
RESENSEN

Sensoren und industrielle Regelungstechnik

Industrial Joystick Digital 1- and 2-axis Controller MJ-3K



Pin Connection



RESENZO

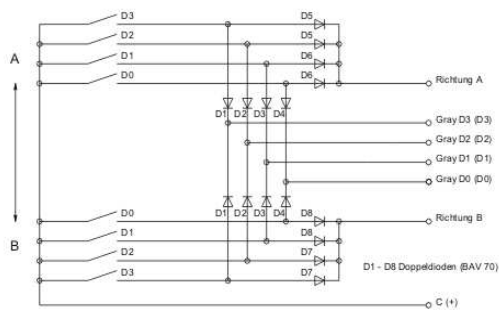
Sensoren und industrielle Regelungstechnik

Industrial Joystick Digital 1- and 2-axis Controller MJ-3K

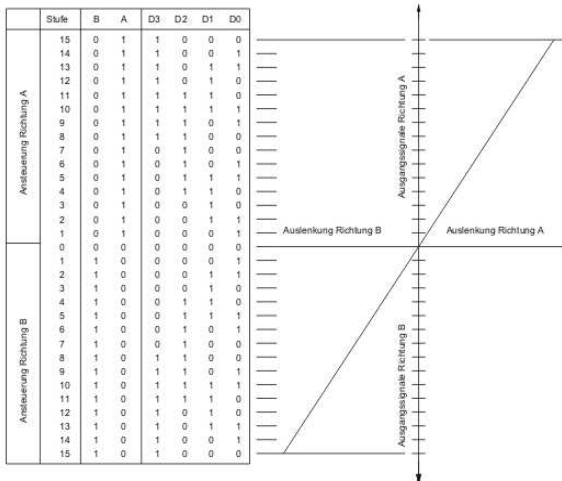


Pin Connection

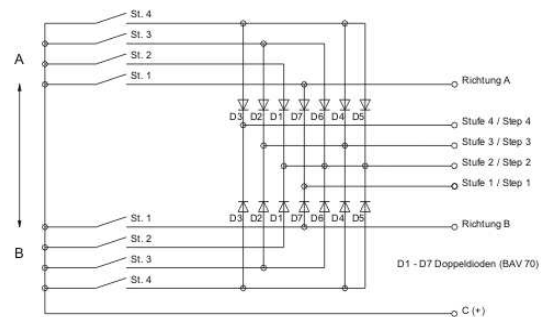
JM2 Joystickplatine, 4-Bit Gray-Code



Ausgangssignale bei entsprechender Joystickausrückung



JM2 Joystickplatine, 4 Stufen



Ausgangssignale bei entsprechender Joystickausrückung

