



**Features:**

- High Life Span
- Robust Construction
- Compact
- EMC Protected

**Applications:**

- Forklifts
- Platform Lifts
- Material Handling Vehicles



**Electrical Characteristics:**

---

Electrical Angle	: $45^{\circ} \pm 5^{\circ}$
Independent Linearity	: $\pm 1\%$
Power rating/axis	: 2 W at 70°C
Insulation Resistance	: 1G $\Omega$ at 500Vdc
Dielectric Strength	: 750Vac

**Mechanical Characteristics:**

---

Life time	: 5 Mio. Cycles
Displacement angle	: $\pm 50^{\circ}$
Seal condition	: IP50

**Environment Characteristics:**

---

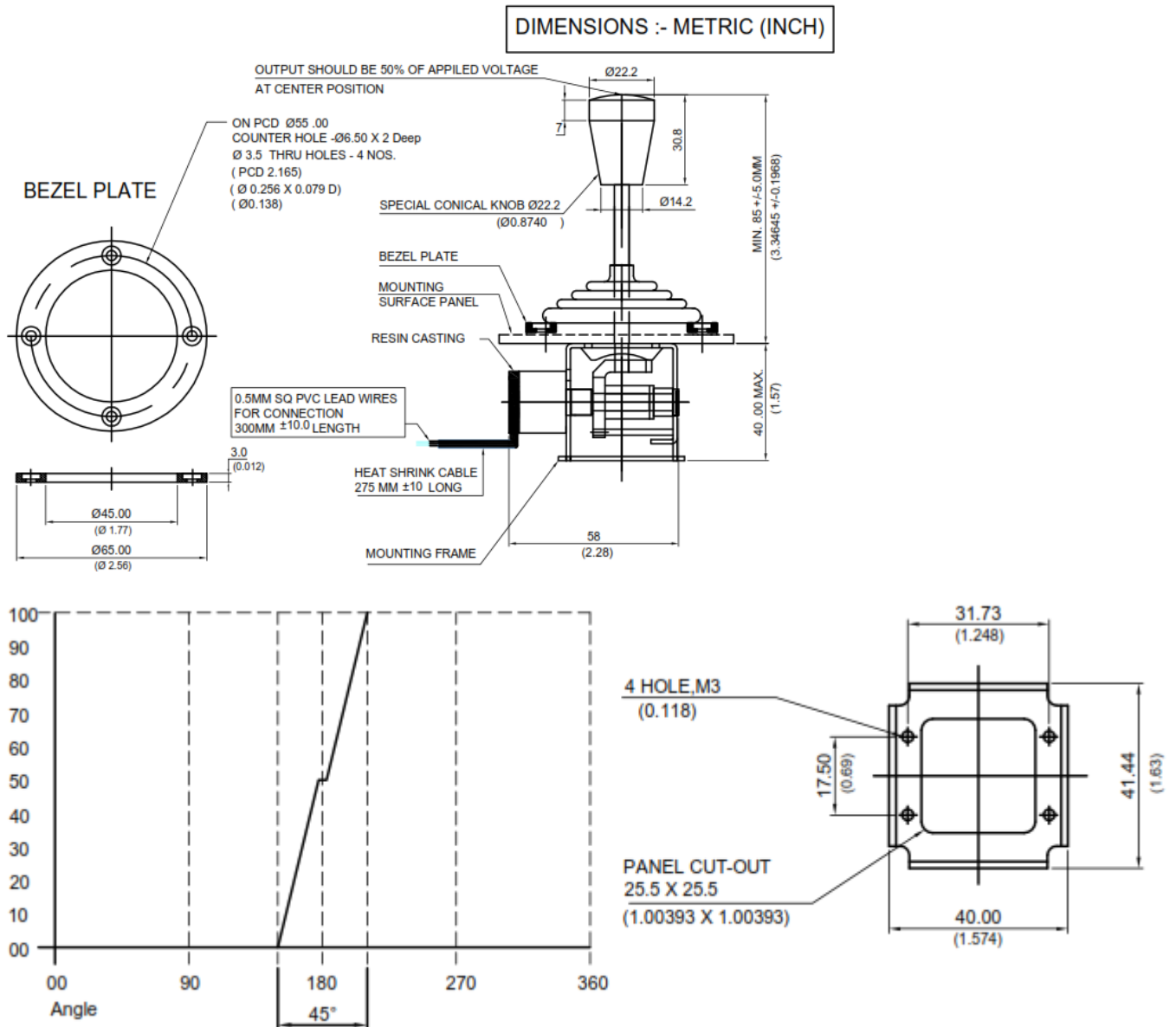
Storage Temperature	: -40°C ... +105°C
Operating Temperature	: -40°C ... +105°C
Vibration	: 10 G
Shock	: 50 G

**Material:**

---

Housing	: Anodized Aluminium
Shaft	: Stainless Steel 304
Terminal	: 7/38 Teflon Jacket cable (3-wires)
Mounting Flange	: Stainless Steel 304
Frame	: CRCA Yellow zinc plated
Rubber Boot	: Nitrial Rubber

**Dimensional Drawing:**



**Options:**

- Conductive plastic potentiometer available
- Hall-sensor version can have Analogue, SPI, PWM outputs. Dual output sensor available on request
- Programmable centre position dead-band
- Limiter Plates for movement restriction

**Industrial Joystick**  
**Model CLJ 101**  
**1-axis**  
**With Hall Effect Contactless Sensor**



**RESENSO**  
SMARTER SENSING AND CONTROL

- 
- Centre-tap potentiometer
  - Please contact Resenso for other options, additional switches/buttons