

RESENSEN

Sensoren und industrielle Regelungstechnik

Industrial Controller
1-, 2- and 3-axis

MJ-3K MTP



Features

- excellent lifetime
- robust design
- compact
- MetaPot membrane sensor technology
- EMC-safe

Applications

- platform lifts
- remote controls
- forklift trucks
- hydraulic
- marine

Electrical Characteristics

| | |
|---------------------------------|--------------------------------------|
| Resistance range/axis | 2,5 k Ω *) |
| Resistance tolerance | \pm 20 % |
| Electrical angle | $>$ \pm 25° *) |
| Independent linearity | \pm 3 % |
| Power rating/axis | 0,2 W at 40° |
| Operating voltage (VCC) | Max. 30 V _{DC} |
| Wiper current | $<$ 10 μ A |
| Max. wiper current | 1 mA in failure mode |
| Insulation resistance | 1 G Ω at 500 V _{DC} |
| Dielectric withstanding voltage | 2000 V |
| End voltage | 7,5 % / 92,5 % of VCC (\pm 2,5 %) |

Mechanical Characteristics

| | |
|----------------------------|------------------|
| Life time | 5 Mio. cycles |
| Displacement angle (mech.) | $<$ \pm 26° |
| Seal condition | IP65 |
| Operating force | 5 N typical *) |
| Coulisse | Quadratic *) |
| Middle position wiper | \pm 1° |
| Impact force | 100 N |
| Actuator | grip with gaiter |

Environment characteristics

| | |
|-----------------------|---|
| Storage temperature | - 25°C ... + 70°C *) |
| Operating temperature | - 25°C ... + 70°C (opt. - 40°C ... + 85°C) *) |
| Climatic class | 25/085/56 |
| Vibration | 10 G |
| Shock | 50 G |

Material

| | |
|--------------------|--------------------------|
| Housing | aluminium |
| Bearing | stainless steel /polymer |
| Electric connector | switch Dubox 6-pins |

Specifications subject to change without notice

*) Other values on request

Resenso AG

Bahnhofstrasse 87

CH-3232 Ins

Tel. +41 (0) 32 313 75 30

Fax. +41 (0) 32 313 75 31

info@resenso.ch

www.resenso.ch

RESENZO

Sensoren und industrielle Regelungstechnik

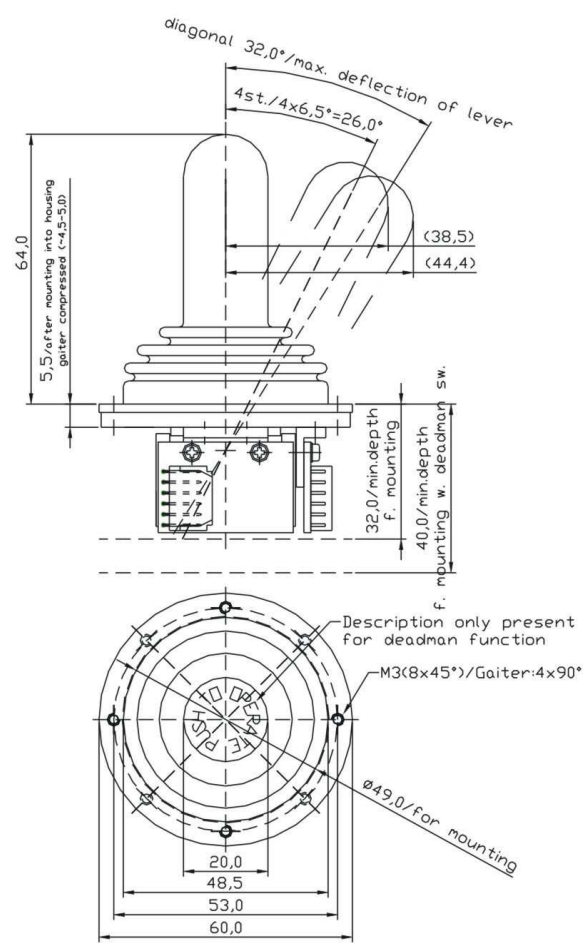
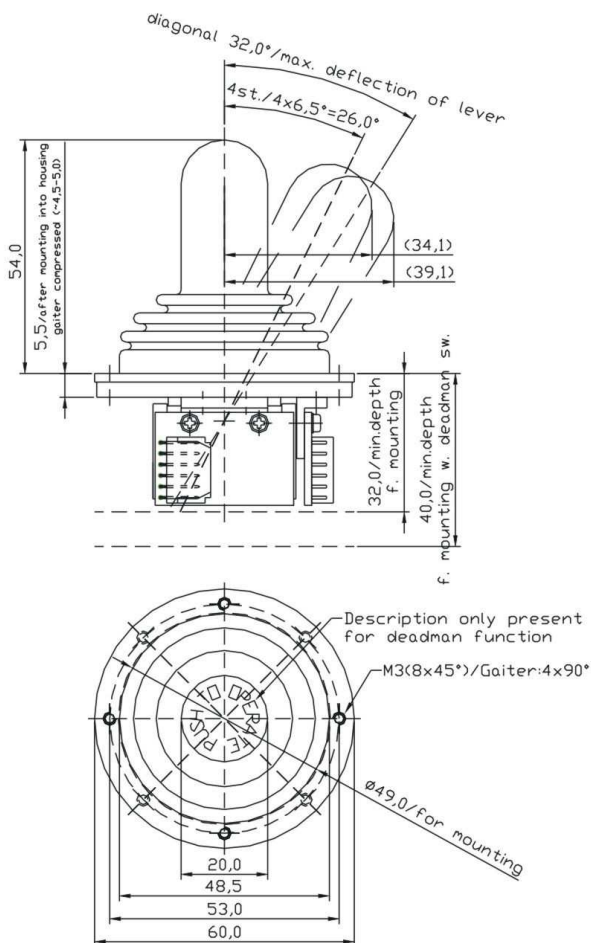
Industrial Controller 1-, 2- and 3-axis

MJ-3K MTP



Drawings MJ-3K MTP 55

MJ-3K MTP 65



RESENZO

Sensoren und industrielle Regelungstechnik

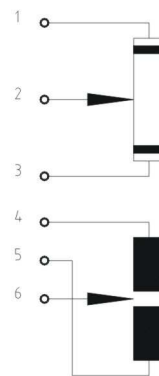
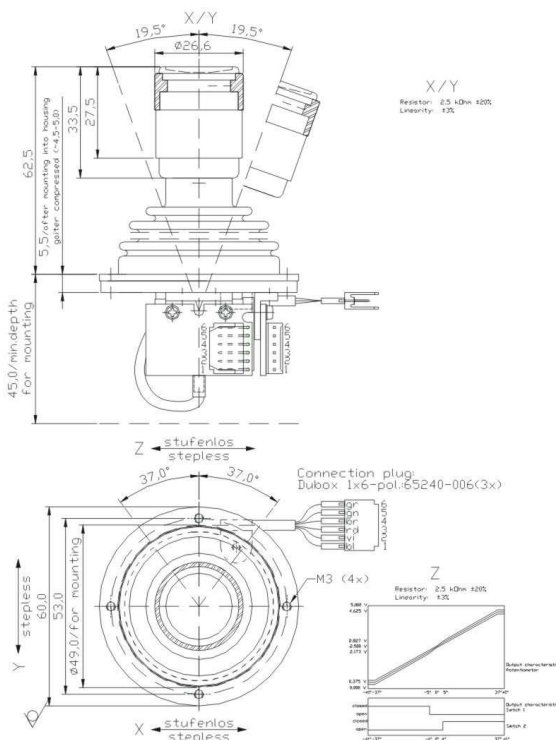
Industrial Controller 1-, 2- and 3-axis

MJ-3K MTP



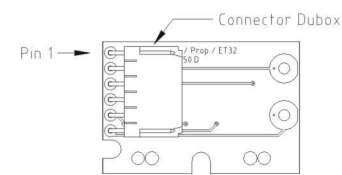
Drawings MJ-3K MTP XYZ

Connector pin assignment



Potentiometer:
total resistor: $R_{ges} = 2500 \Omega \pm 20\%$
end resistor: 7.5% from $R_{ges} \pm 2.5\%$
mid position: 50% from $R_{ges} \pm 10\%$
end position: $\pm 26^\circ$ to $\pm 30^\circ$

Switch:
switch closed: $\pm 5^\circ$ to $\pm 30^\circ$



Options (customised)

- other resistance values
- modified operating element
- cable, connector
- mounting plate
- friction-brake, put'n stay

How to order

M J - 3 K M T P
Type
Joystick MJ-3K MTP

5 5
Shaft length
55 cm
65 cm

| | | | | | | |
|---|---|---|---|---|---|---|
| X | 2 | K | 5 | 1 | 0 | 1 |
| Y | | | | | | |
| Z | | | | | | |

el. output
X - 2K5 / 1-0-1
Y - 2K5 / 1-0-1
Z - 2K5 / 1-0-1

| | |
|---|---|
| D | S |
|---|---|

Options (standard)
DS - deadman switch
CG - crossgate

Options (custom designed)
other resistance values
redundant version
friction-brake put'n stay
modified operating element
micro match/wire connection
mounting plate

Resenzo AG

Bahnhofstrasse 87

CH-3232 Ins

Tel. +41 (0) 32 313 75 30

Fax. +41 (0) 32 313 75 31

info@resenzo.ch

www.resenzo.ch