

LINEAR TRANSDUCERS

Model WPL

∅ 16 mm

5 Mio. Cycles

Conductive plastic



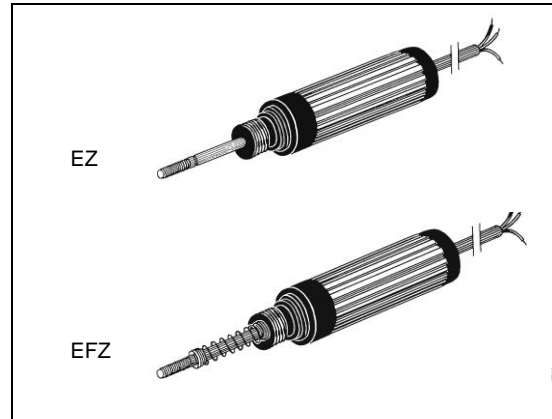
RESENZO
SMARTER SENSING AND CONTROL

Features :

- Excellent Lifetime
- Robust construction
- Simple mount

Applications :

- Pressure foot
- Cylinder stroke measurement
- Foot pedal position
- Valve regulation



Electrical Data:

Resistance range	: 1kΩ, 5kΩ, 10kΩ
Resistance tolerance	: ± 20%
Linearity ind.	: ± 1.0%
Power rating	: 0.5 W bei 40°C
Stroke lengths	: 10mm – 50mm
Resolution	: Essentially infinite
Max. End resistance	: 1%
Max. Wiper current	: 10 mA in case of malfunct.
Recommended wiper current	: < 0.001 mA
Insulation resistance	: 10GΩ bei 500V
Dielectric strength	: 700Vac

Mechanical Data:

Life expectancy	: 5 000 000 cycles
Repeatability	: 0.05mm
Operating speed	: max. 0.1 m/s
Protection rating	: IP 54
Operating force	: 2N ÷ 5N
End – stop strength	: 200N

Environmental Characteristics:

Storage temperature	: -25°C ÷ +105°C
Operating temperature	: -25°C ÷ +85°C
Climatic rating	: 25/075/56
Vibration	: 10G
Shock	: 50G

Material:

Housing	: Anodized aluminium
Shaft	: stainless steel
Cable	: 3x0.14mm ² / 1m

LINEAR TRANSDUCERS

Model WPL

∅ 16 mm

5 Mio. Cycles

Conductive plastic

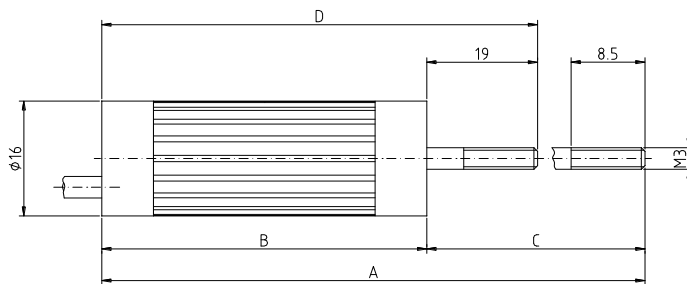


RESENZO
SMARTER SENSING AND CONTROL

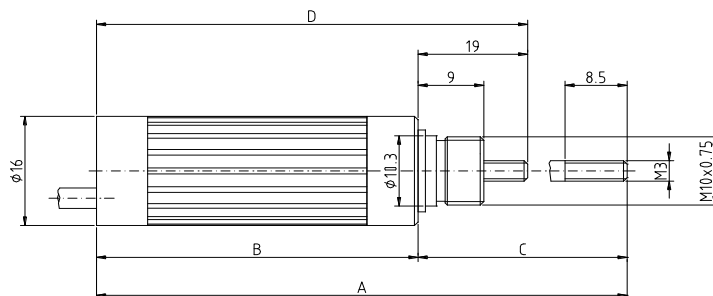
Standard versions:

Typ	WPL 10 E	WPL 10 EZ	WPL 10 EF	WPL 10 EFZ	WPL 15 E	WPL 15 EZ	WPL 15 EF	WPL 15 EFZ
Connecting	1 + 2	1 + 2	1 + 2	1 + 2	1 + 2	1 + 2	1 + 2	1 + 2
Drawing	A	B	C	D	A	B	C	D
El. Stroke length	10	10	10	10	15	15	15	15
Dimensions								
A	74	74	86	95	84	84	102	111
B	44	44	44	44	49	49	49	49
C	30	30	42	51	35	35	53	62
D	63	63	75	84	68	68	86	95
E			31	40			37	46
Bushing G	Flansch	M 10	Flansch	M 10	Flansch	M 10	Flansch	M 10
	Art.Nr.	Art.Nr.	Art.Nr.	Art.Nr.	Art.Nr.	Art.Nr.	Art.Nr.	Art.Nr.
1kΩ	Cable	36 00 00	36 01 00	36 02 00	36 03 00	36 04 00	36 05 00	36 07 00
5kΩ	Cable	36 00 01	36 01 01	36 02 01	36 03 01	36 04 01	36 05 01	36 07 01
10kΩ	Cable	36 00 02	36 01 02	36 02 02	36 03 02	36 04 02	36 05 02	36 07 02

Drawing A



Drawing B



LINEAR TRANSDUCERS

Model WPL

∅ 16 mm

5 Mio. Cycles

Conductive plastic

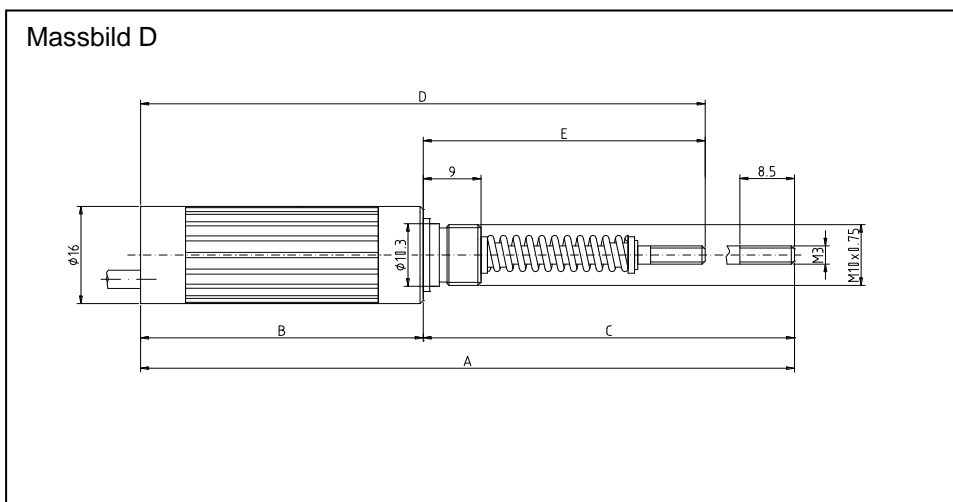
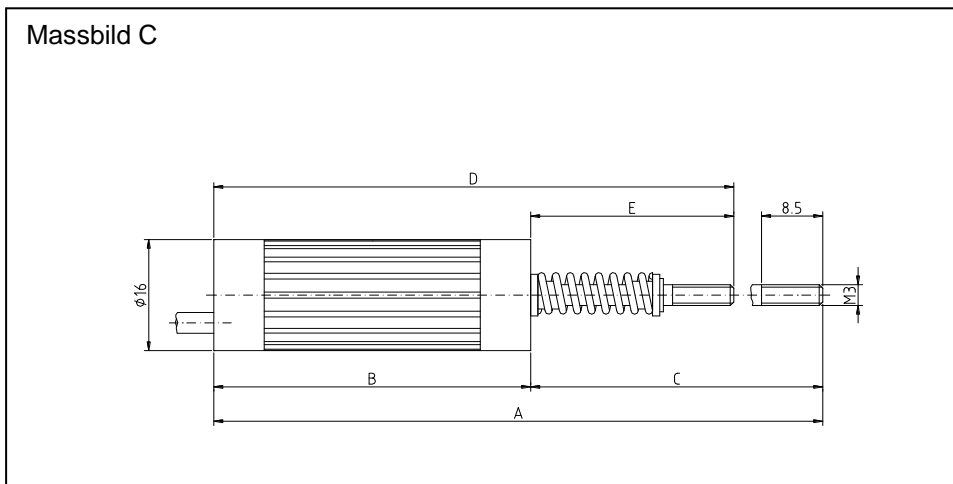


RESENZO
SMARTER SENSING AND CONTROL

Standard versions:

Typ	WPL 25 E	WPL 25 EZ	WPL 25 EF	WPL 25 EFZ	WPL 30 E	WPL 30 EZ	WPL 30 EF	WPL 30 EFZ
Connecting	1 + 2	1 + 2	1 + 2	1 + 2	1 + 2	1 + 2	1 + 2	1 + 2
Drawing	A	B	C	D	A	B	C	D
El. Stroke length mm	25	25	25	25	30	30	30	30
Dimensions								
A	104	104	134	143	114	114	150	159
B	59	59	59	59	64	64	64	64
C	45	45	75	84	50	50	86	95
D	78	78	108	117	83	83	119	128
E			49	58			55	64
Bushing G	Flansch	M 10	Flansch	M 10	Flansch	M 10	Flansch	M 10
	Art.Nr.	Art.Nr.	Art.Nr.	Art.Nr.	Art.Nr.	Art.Nr.	Art.Nr.	Art.Nr.
1kΩ Cable	36 08 00	36 09 00	36 10 00	36 11 00	36 12 00	36 13 00	36 14 00	36 15 00
5kΩ Cable	36 08 01	36 09 01	36 10 01	36 11 01	36 12 01	36 13 01	36 14 01	36 15 01
10kΩ Cable	36 08 02	36 09 02	36 10 02	36 11 02	36 12 02	36 13 02	36 14 02	36 15 02

E = Single ended shaft version
EF = Single ended shaftt with return spring
Z = Bush mounting



LINEAR TRANSDUCERS

Model WPL

∅ 16 mm

5 Mio. Cycles

Conductive plastic



RESENZO
SMARTER SENSING AND CONTROL

Standard versions:

Typ	WPL 50 E	WPL 50 EZ	WPL 50 EF	WPL 50 EFZ
Connecting	1 + 2	1 + 2	1 + 2	1 + 2
Drawing	A	B	C	D
El. Stroke length	50	50	50	50
Dimensions				
A	154	154	215	224
B	84	84	84	84
C	70	70	131	140
D	103	103	164	173
E			80	89
Bushing G	Flansch	M 10	Flansch	M 10
	Art.Nr.	Art.Nr.	Art.Nr.	Art.Nr.
1kΩ Cable	36 16 00	36 17 00	36 18 00	36 19 00
5kΩ Cable	36 16 01	36 17 01	36 18 01	36 19 01
10kΩ Cable	36 16 02	36 17 02	36 18 02	36 19 02

E = Single ended shaft version
EF = Single ended shaftt with return spring
Z = Bush mounting

Options:

Linearity ± 0.25%

Stoke lengths from 10 to 50 mm

Longer shafts

Bushing M 6

Connector Lumberg

How to order:

Partnumber Model

36 04 01 WPL 15E

Resist.

5kΩ

Length

15 mm

Specifications are subject to change without notice

Bahnhofstrasse 87
CH-3232 Ins
<http://www.resenso.ch>

Telefon 032 313 75 30

Mail info@resenso.ch