



Features:

- High Life Span
- Robust Construction
- Compact
- EMC Protected

Applications:

- Forklifts
- Platform Lifts
- Material Handling Vehicles



Electrical Characteristics:

Electrical Angle	: $45^\circ \pm 5^\circ$
Independent Linearity	: $\pm 2\%$
Power rating/axis	: 2 W at 70°C
Max. Wiper Current	: 1 mA
Insulation Resistance	: 1G Ω at 500Vdc
Dielectric Strength	: 750 Vac

Mechanical Characteristics:

Life time	: 5 Mio. Cycles
Displacement angle	: $\pm 50^\circ$
Seal condition	: IP50

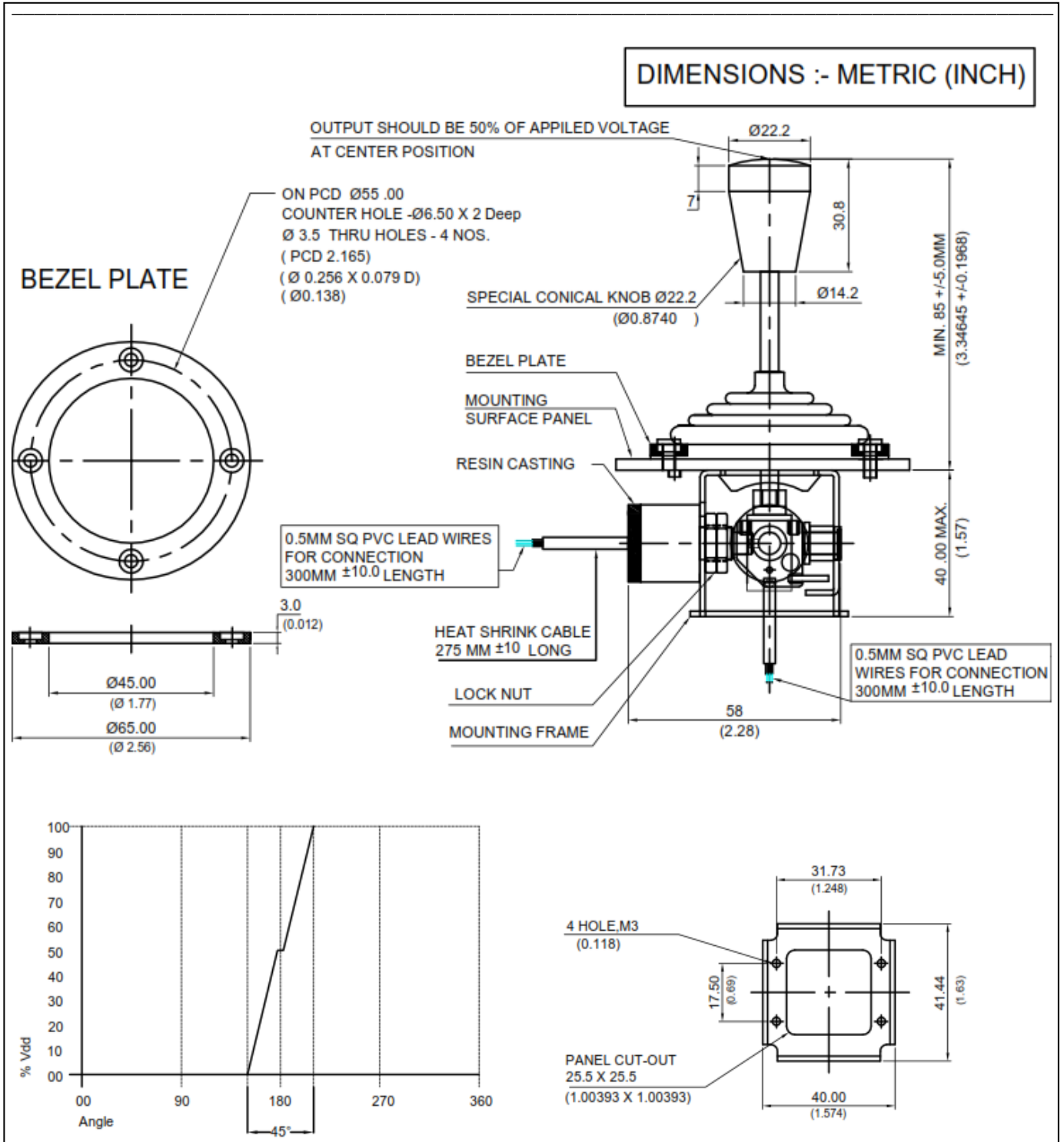
Environment Characteristics:

Storage Temperature	: -40°C ... +125°C
Operating Temperature	: -40°C ... +125°C
Vibration	: 10 G
Shock	: 50 G

Material:

Housing	: Anodized Aluminium
Shaft	: Stainless Steel 304
Terminal	: 7/38 Teflon Jacket cable (3-wires)
Mounting Flange	: Stainless Steel 304
Frame	: CRCA Yellow zinc plated
Rubber Boot	: Nitrial Rubber

Dimensional Drawing:



Industrial Joystick
Model CLJ 102
2-axis
With Hall Effect Contactless Sensor



RESENDO
SMARTER SENSING AND CONTROL

Options:

- Conductive Plastic Sensor in place of hall effect potentiometer available
- Hall-sensor version can have Analogue, SPI, PWM outputs. Dual output sensor available on request
- Programmable centre position dead-band
- Limiter Plates for movement restriction
- Centre-tap potentiometer
- Please contact Resenso for other options, additional switches/buttons