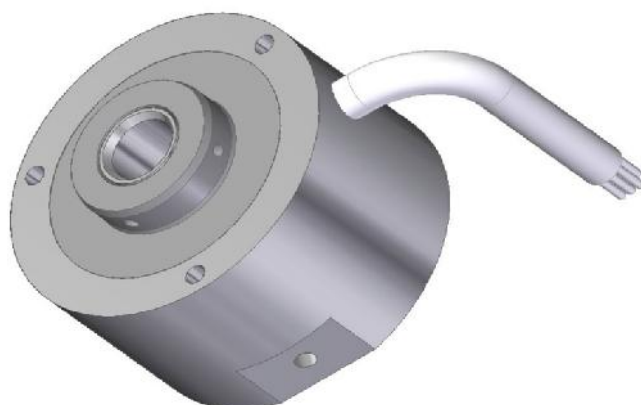


High-Resolution Absolute Angular Position Sensor

HRAS 40



Main Characteristics

Parameter	Description
Mechanical angle	360 ° Continuous Pre-programmed
Supply Voltage	5 ± 0.5 Vdc
Current Consumption	25 mA
Max. Resolution (ADC)	14 bits (latency from 2.5 u-sec to 2.6 m-sec depending on filtering)
Max. Resolution (Analog)	Upto 65536 counts per rotation
Max. Accuracy	Absolute: 0.043 degrees (2LSB) Relative: 0.0054 degrees (1/4 LSB) Both upto 12000 RPM
Max. Operating Speed	24000 RPM
Shaft diameter	8 mm. shaft lockable with locking screw on sensor
Position data Output (Serial interface)	SSI, BiSS, SPI
Incremental encoder quadrature outputs	A,B,Z
Motor commutation signals	U,V,W

Connections (standard)	Red - Analog 5VDC Black - Analog ground Yellow - Digital supply 5V Blue - Digital ground Green - Serial 1 / A White - Serial 2 / B Orange - Serial 3 / Z Purple - Serial 4 / index Grey - MTC (multiturn clock) / SCL Brown - MTD (multiturn data) / SDA
More connections on request	

Operational Temperature	- 40°C to 110°C
Dielectric Strength	500 VDC
Insulation Resistance	10MΩ

