



Features:

- Robust construction
- Compact
- Excellent lifetime

Applications:

- Forklift trucks
- Platform Lifts
- Material Handling Vehicles



Electrical Characteristics:

Resistance Range/axis	: 5 k Ω
Resistance Tolerance	: $\pm 20\%$
Electrical Angle	: $45^\circ \pm 5^\circ$
Independent Linearity	: $\pm 2\%$
Power rating/axis	: 1 W at 70°C
Max. Wiper Current	: 1 mA
Insulation Resistance	: 1G Ω at 500Vdc
Dielectric Withstanding Voltage	: 500Vac

Mechanical Characteristics:

Life time	: 2 Mio. Cycles
Displacement angle	: $\pm 50^\circ$
Seal condition	: IP50

Environment Characteristics:

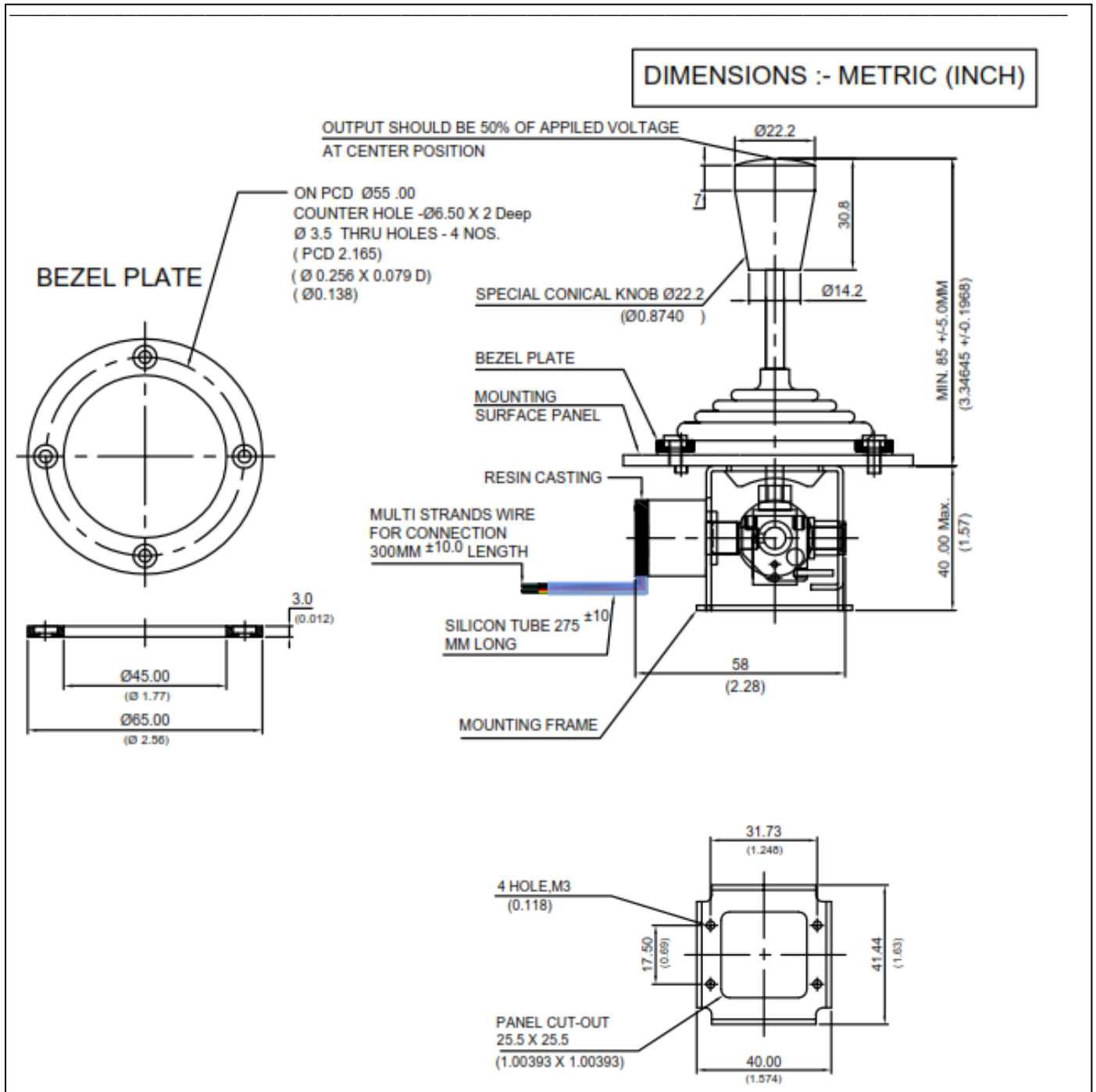
Storage Temperature	: - 40°C ... + 105°C
Operating Temperature	: - 40°C ... + 105°C
Vibration	: 10 G
Shock	: 50 G

Environment Characteristics:

Housing	: Anodized Aluminium
Shaft	: Stainless Steel 304
Terminal	: 7/38 Teflon Jacket cable (3-wires)
Mounting Flange	: Stainless Steel 304
Frame	: CRCA Yellow zinc plated
Rubber Boot	: Nitrial Rubber

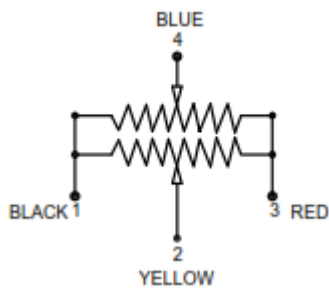


Drawing:





Connector Pin Assignment:



Options:

- Programmable Rotary Hall-sensor in place of potentiometer available
- Hall-sensor version can have Analog, SPI, PWM outputs. Dual output sensor available on request
- Programmable centre position dead-band
- Limiter Plates for movement restriction
- Centre-tap potentiometer
- Please contact Resenso for other options, additional switches/buttons