

SINGLE TURN POTENTIOMETER
Model NP20HS
2 000 000 Cycles
Conductive Plastic



RESENZO
SMARTER SENSING AND CONTROL

Features:

- Excellent Lifetime
- Robust Construction
- Simple mounting

Applications:

- Joysticks
- Robotics
- Actuators



Electrical Data:

Resistance Range	: 1k Ω , 2k Ω , 5k Ω , 10k Ω
Resistance Tolerance	: \pm 20%
Effective Ele. Travel	: 320 $^\circ$
Linearity	: \pm 2%
Power Rating	: 0.5 W at 70 $^\circ$ C
Resolution	: Essentially ∞
Max. Wiper Current (10 Sec)	: 10mA in case of failure
Contact Resistance	: Within 2% CRV
Insulation Resistance	: 500M Ω at 500Vdc
Dielectric Strength	: 500Vac
Temperature Coefficient	: \pm 400 ppm/ $^\circ$ C

Mechanical Data:

Life	: 2 000 000 Cycles
Mech. Angle	: CR
Protection Class	: IP 50
Operating Torque	: 0.35 cNm
Bearing	: Sleeve Bearing

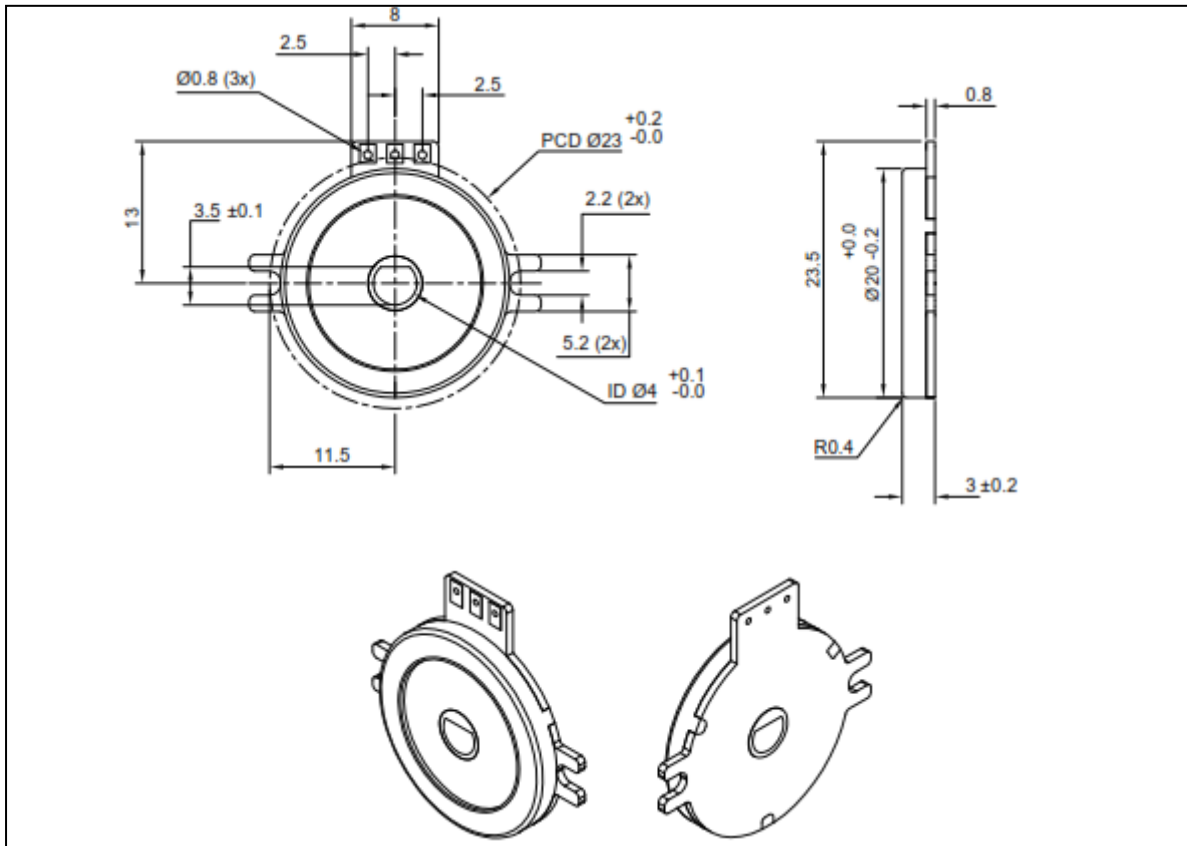
Environmental Data:

Storage Temperature	: -40 $^\circ$ C to +105 $^\circ$ C
Operating Temperature	: -40 $^\circ$ C to +105 $^\circ$ C
Terminals	: Solder pads on PCB, gold plated

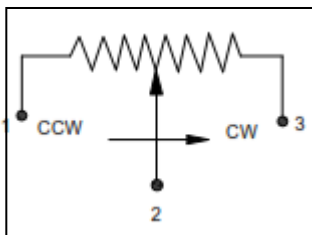
Material:

Housing	: Stainless Steel
Shaft	: Engg. Plastic
Standard	: confirms to RohS

Dimensional Drawing:



Connection Diagram:



Options:

Upon Request

Specifications subject to change without notice