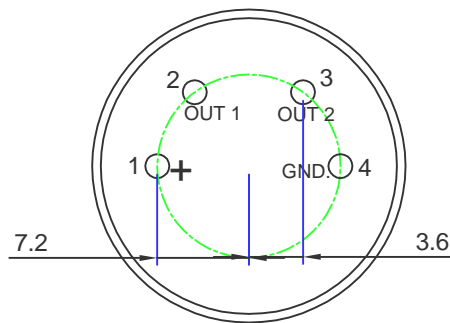
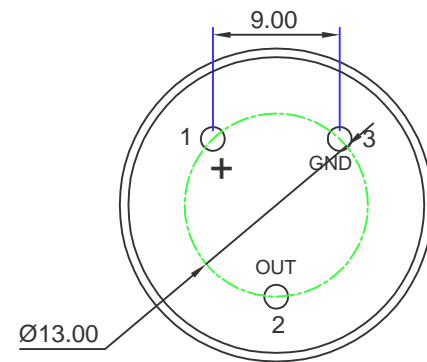


ALL DIMENSION ARE IN MM

Mechanical Characteristics	
Mechanical Travel	360° continuous
Standard	IP 50
Operating temperature	-40 to +125 °C
Life	>10 M of cycles



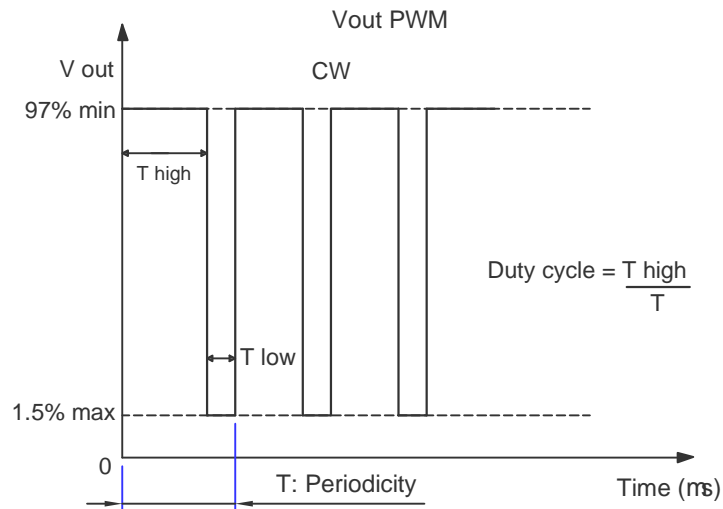
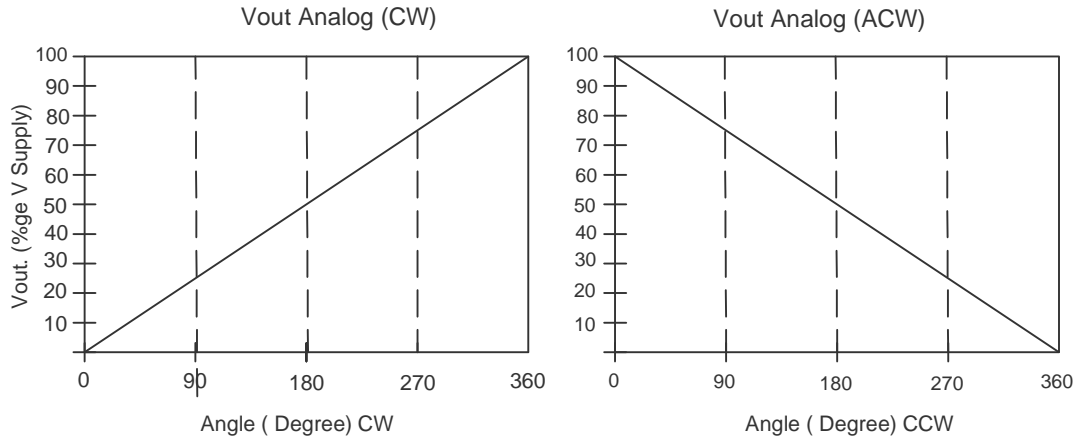
REAR VIEW- DUAL O/P



REAR VIEW- SINGLE O/P

PART NUMBER	
219003	CLS-22 Single output (Analog)
219006	CLS-22 Dual output (Analog)
219009	CLS-22 Single output (PWM)
219010	CLS-22 Dual output (PWM)

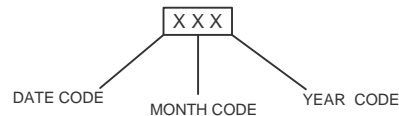
RESENZO <small>SMARTER SENSING AND CONTROL</small>	CONTACTLESS POTENTIOMETER		THIS DRG IS THE SOLE PROPERTY OF UNI-AUTOMATION (INDIA) Pvt. Ltd. IT SHOULD NOT BE COPIED OR COMMUNICATED TO ANY PERSON WITHOUT WRITTEN APPROVAL OF UNI-AUTOMATION (INDIA) Pvt. Ltd.	
	MODEL CLS 22			
FIRST ISSUE: 28/02/17	SCALE 2:1		CUSTOMER DRAWING REF NO NA	REV - 00
TOLERANCES DIN-ISO 2768-1 (1991-06) (TOLERANCE CLASS-MEDIUM)	UAPL PART NO 219XXX		CUSTOMER :- UAPL STD	SHEET 1 of 2



ELECTRICAL CHARACTERISTICS	
Actual Electrical Travel	360°
Output (Single/ Dual)	0-5 V Analogue output (Programmed as per req.) / 5 V PWM (Programmed as per req.)
Operating Input Voltage	Typical 5Vdc (Special 10Vdc /24 Vdc)
Overvoltage Limits	24 Vdc
Reverse voltage protection	-12 VDC (breakdown at -14V)
Output Current	10 mA Max.
Output Load	4.7 kΩ Min., 10 kΩ Typical
Analog output resolution	0.025% of Vdd
Linearity	Typical < 1% (Special < 0.5%)
Supply Current	10 mA max
Dielectric Strength	750 Vdc
Insulation Resistance	1000 MΩ
Electrostatic Discharge (ESD)	Passes 2 kV test

BATCH MARKING FORMAT

- X- DATE (1-24)- A TO Z (EXCEPT I AND O)
DATE (25-31)- 1 TO 7
- X- MONTH (1 TO 12) - A TO M (EXCEPT I)
- X- LAST DIGIT OF YEAR



	CONTACTLESS POTENTIOMETER		THIS DRG IS THE SOLE PROPERTY OF UNI-AUTOMATION (INDIA) Pvt. Ltd. IT SHOULD NOT BE COPIED OR COMMUNICATED TO ANY PERSON WITHOUT WRITTEN APPROVAL OF UNI-AUTOMATION (INDIA) Pvt. Ltd.	
	MODEL CLS 22			
FIRST ISSUE: 28/02/17	SCALE 2:1		CUSTOMER DRAWING REF NO NA	REV - 00
TOLERANCES DIN-ISO 2768-1 (1991-06) (TOLERANCE CLASS-MEDIUM)	UAPL PART NO 219XXX		CUSTOMER :- UAPL STD	SHEET 2 of 2