

**Hollow Shaft Single Turn Potentiometer**  
**Model PGL 61**  
**Ø 32 mm**  
**25 000 000 Cycles**  
**Conductive plastic**



**RESENZO**  
 SMARTER SENSING AND CONTROL

Options	
Linearity	0.25%
Resistance tolerance	+/- 10%
Connections	Cable



Electrical Characteristics		Mechanical Characteristics	
Resistance range	10 kΩ	Rotational life	25'000'000 Cycles
Resistance tolerance	+/- 20%	mech. angle	Continuous
el. angle	354°	Protection rating	IP 63
indep. Linearity	+/- 0.25%	Torque	typ. 0.5 cNm
Power rating	0.5 W / T <sub>A</sub> 40°C		
rec. Wiper current	< 0.1μA		
max. Wiper current	10 mA (malfunction)		
Wiper resistance	< 500 ohm (new)		
Isulationresistance	10 GΩ / 1000 VDC		
Dielectric strength	1000 VAC / 1 min.		
Temperature coefficient	600ppm / °C		
TC of voltage divider	30ppm / °C		

Environmental Conditions		Material	
Storage temperature	-40°C ÷ +105°C	Housing	Aluminium anodized
Operating temperature	-25°C ÷ +85°C	Rotor	Aluminium anodized
Climatic rating	25/085/56	Connections	Cable 0.5 / 1 / 2 / 2.5 m
Shock	50G		Cable with or without shield
Vibration	10G		

# Hollow Shaft Single Turn Potentiometer

Model PGL 61

Ø 32 mm

25 000 000 Cycles

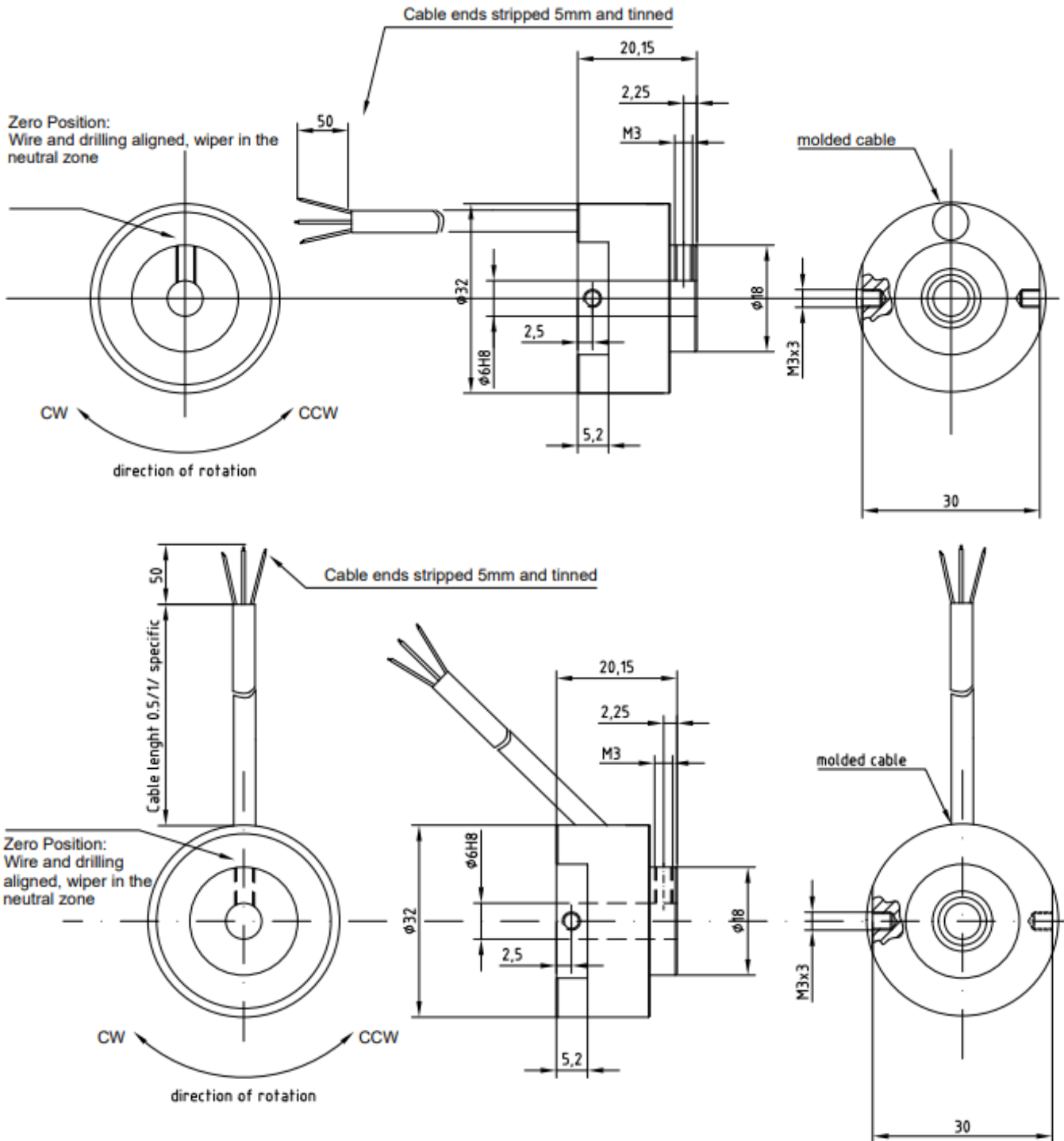
Conductive plastic



# RESENZO

SMARTER SENSING AND CONTROL

## Standard Models PGL 61:



PGL	61	-	<b>KA</b>	-	<b>10k</b>	-	<b>354</b>	-	<b>DDB</b>
L= Conductive plastic			KA= Cable KAX Axial cable exit		Resistance 10 kohm Others on demand		EI. Angl 354° others on demand		Continuous rotation

Specifications are subject to change without notice