

SINGLETURN - POTENTIOMETER

Model POL 20

Ø 20 mm

1 000 000 Cycles

Conductive plastic



RESENZO
SMARTER SENSING AND CONTROL

Features:

- Bushing mount
- High rotational life
- Excellent Linearity
- Non-standard features available

Options:

- Shaft length 5mm - 14mm
- Plastic slider for shaft Ø 6mm
- Connections variable
- Resistance tolerance +/-10%

Application:

- Solder and welding devices
- Setpoint
- Measurement devices
- Basic Servosystems



| Electrical Characteristics | | Mechanical Characteristics | |
|--------------------------------------------|--------------------|----------------------------|------------------------------|
| Resistance range | 1/5/10 kΩ | Rotational life | 1'000'000 Cycles |
| Resistance tolerance | +/- 20% | mech. angle | Continuous or with stop 320° |
| el. angle | 45° - 340° | Protection rating | IP 65 |
| Indep. Linearity | +/- 1% | Torque | typ. 0.7 cNm |
| Wiper current rec. | < 0.1µA | | |
| max. Wiper current | 10 mA malfunctions | | |
| Power rating | 0.5 W / 40°C | | |
| max. Wiper resistance | 500 ohm (new) | | |
| Insulation resistance | 10 GΩ / 500 VDC | | |
| Dielectric strength | 1000 VAC / 1 min. | | |
| Temperature coefficient | 600ppm / °C | | |
| Temperature coefficient of voltage divider | 30ppm / °C | | |

| Environmental Conditions | | Material | |
|--------------------------|----------------|-------------|---------------------|
| Storage temperature | -40°C ÷ +105°C | Housing | Thermoplast |
| Operating temperature | -25°C ÷ +85°C | Shaft | Brass nickel plated |
| Climatic rating | 25/085/56 | Connections | FR 4 or wires |
| Shock | 50G | | |
| Vibration | 10G | | |

SINGLETURN - POTENTIOMETER

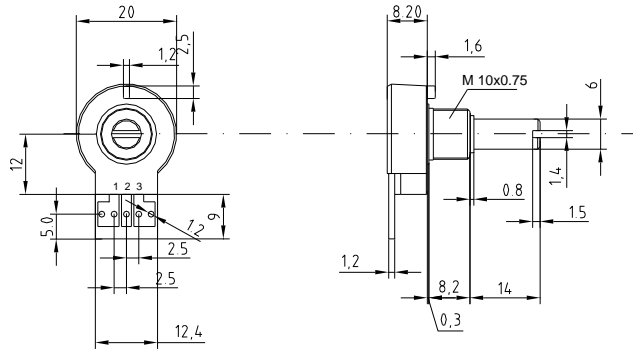
Model POL 20
 ø 20 mm
 1 000 000 Cycles
 Conductive plastic



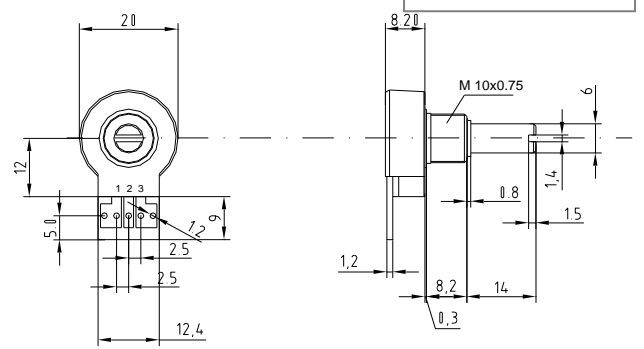
RESENZO
 SMARTER SENSING AND CONTROL

Standard models:

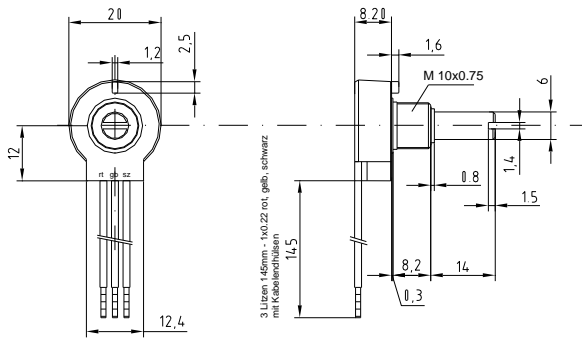
POL 20 MR - PA



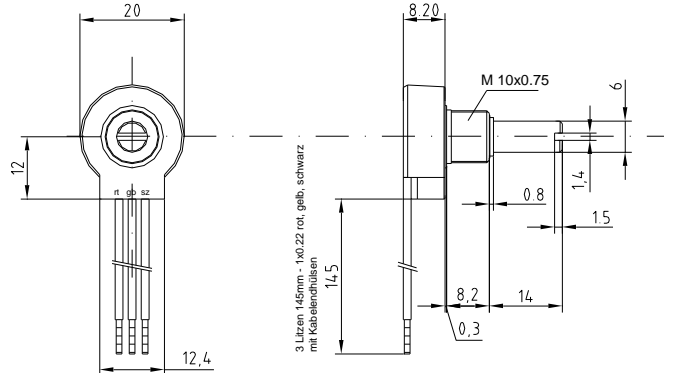
POL 20 MO - PA



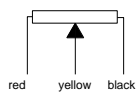
POL 20 MR - LI



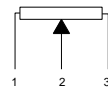
POL 20 MO - LI



Connecting diagram



Connecting diagram



POL 220= Potentiometer Standard

Shft lengths in 1/10mm
 14 mm standard

P O L 2 0 M R - P L - 1 0 k - 1 4 0 - 3 2 0 - D D B - G L

L= Conductive plastic

M= Thread M10 Shaft 6mm

R= with cam
 O= without cam

F = Flansh 10.3mm

Resistance
 1, 5, 10 kohm
 others on demand

PA= Print connections
 LI= Wire connections 145 mm
 KA= Cable
 FB= Flat cable
 KS= Cable with connector

El. angle 320°
 and 270° others on demand

DDB= Continuous standard
 ANS= with Stopp at 320°

Specifications are subject to change without notice