

# Multi turn Potentiometer

Model POD 1810 – 10 turns

∅ 22 mm

1Mio. shaft revolutions

Wire Wound



**RESENZO**  
SMARTER SENSING AND CONTROL

## Features:

- Excellent rotational life
- Excellent resolution
- Non-standard features and specifications available

## Options:

- shaft length 5mm-11mm
- Thread 3/8"



Electrical Characteristics		Mechanical Characteristics	
Resistance range	100 - 20 kΩ	Rotational life	1'000'000 Turns
Resistance tolerance	+/- 5%	mech. Angle	3600°
el. Angle	3600°	Protection rating	IP 65 / 1810 H IP 67
Inp. Linearity	+/- 0.25 %	Torque	typ. 0.7 cNm
Power rating	2 W / T <sub>A</sub> 70°C		
max. Wiper current	50 mA		
max. Wiper resistance.	100 ohm		
Insulation resistance	10 GΩ / 500 VDC		
Dielectric strength	1000 VAC / 1 min.		
Temperature coefficient	40ppm / °C		
Rend	max. 1 % of R <sub>nom</sub> .		

Environmental Conditions		Material	
Storage temperature	-25°C ÷ +105°C	Housing	Thermoplast
Operating temperature	-25°C ÷ +85°C	Shaft	Stainless steel
Climatic rating	25/085/56	Connections	Brass gold plated
Shock	50G		
Vibration	10G		

# Multi turn Potentiometer

Model POD 1810 – 10 turns

∅ 22 mm

1Mio. shaft revolutions

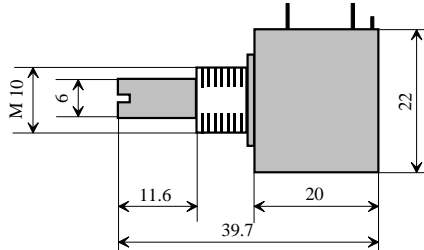
Wire Wound



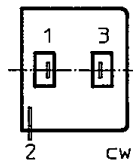
**RESENZO**  
SMARTER SENSING AND CONTROL

## Standard model:

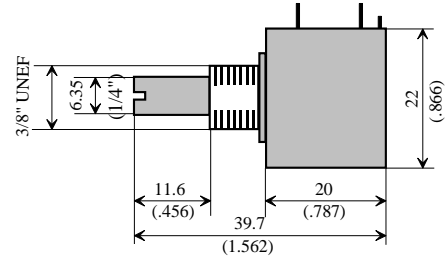
POD 1810 M



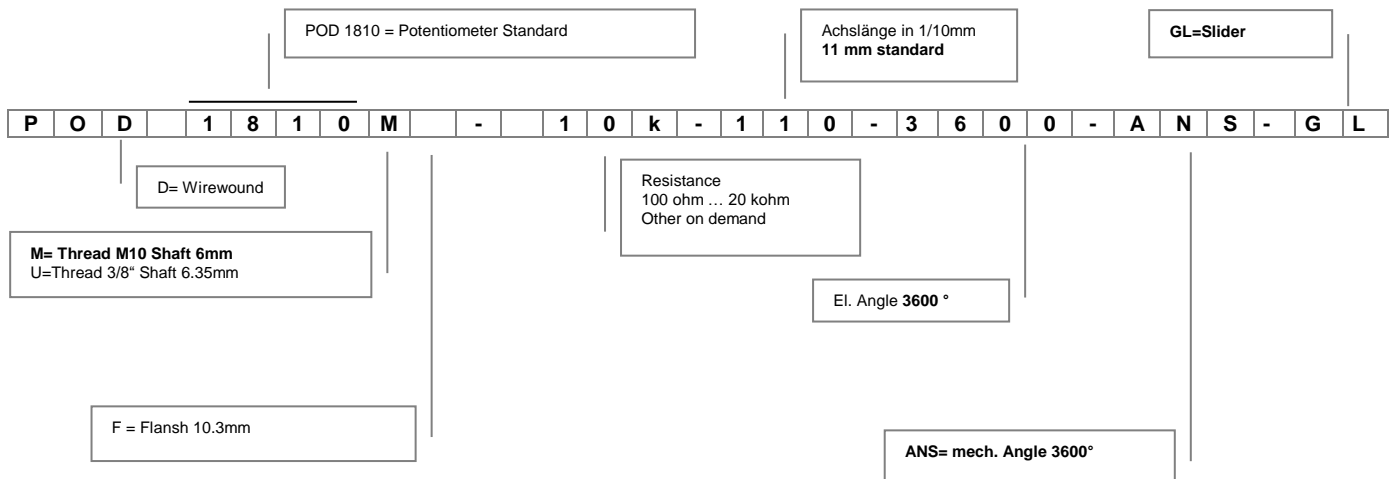
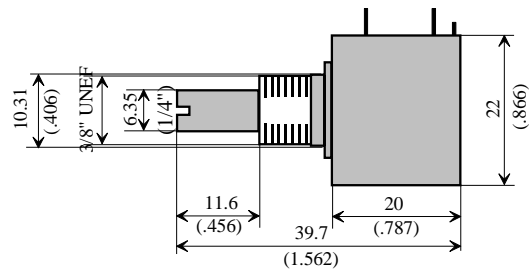
Connecting diagram



POD 1810 U



POD 1810 UF



Specifications are subject to change without notice