

Contactless rotative angle sensor
Model HMS 220 Hall Sensor
ø 22 mm



RESENZO
SMARTER SENSING AND CONTROL

Features

- high life cycles
- robust design
- excellent linearity
- individual programmable angle, characteristic curve
- absolute angle measure as well after power outage

Applications

- Joysticks
- valve control
- steering angle fork lift
- servosystems
- shaft control



Electrical Characteristics:

Measuring range	0° ... 360°
Independant Linearity	+/- 0.5%
Resolution	12 bit analog 14bit SPI
Output Signal	10% ... 90% von Us
Min. ohm load - output	10 kohm
Max. capacitive output load	10 nF
Sampling rate slow mode	800 us
Sampling rate fast mode	300 us
Temperature coefficient	50ppm/°K
Supply voltage	5 Vdc +/- 10%
Current draw without slow mode	10 mA typ.
Current draw without fast mode	16 mA typ.
Inverse-polarity protection	yes
Electrical connection	Flatcable 6 pins

Mechanical Characteristics:

Mechanical angle	Continous
Life time (electr.)	10 Years
Life time (mechan.)	200 Mio. Shaft rotations
Bearing	Double ball bearing
Housing	Aluminium anodised
Shaft	Inox

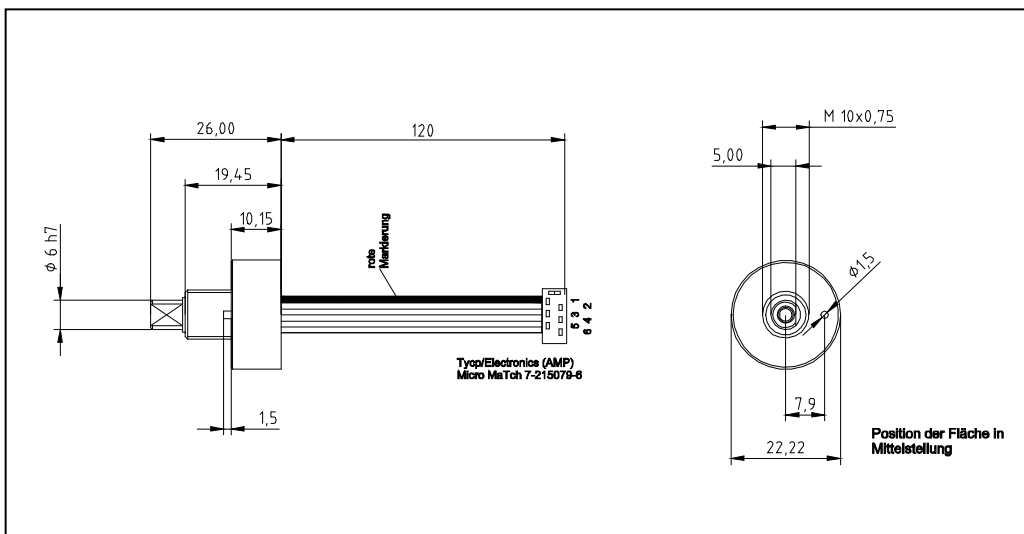


Environmental Characteristics:

Operating temperature	-40°C ... +105°C
Storage temperature	-40°C ... +105°C
Climatic class	25/085/56
Vibration	10G
Shock	30G

Options:

Electrical angle	0°...360° programmable
Output signal	PWM or SPI (14bit)
Redundancy	yes
Slow mode/fast mode	selectable
Length of strand	145 mm ... 800 mm
Operating temperature	-40°C ... +125°C



Connections Analog Output
 Pin 1 VDD 5 V
 Pin 2 GND
 Pin 3 Output analog

Connections SPI Output
 Pin 1 VDD 5 V
 Pin 2 GND
 Pin 3 Output In/Out
 Pin 4 Serial Clock
 Pin 5 Slave select
 Pin 6 n.c.

Specifications subject to change without notice