

Linear Motion Potentiometer
Model WT-22
∅ 22 mm
5 000 000 strokes
Conductive Plastic



RESENZO
SMARTER SENSING AND CONTROL

Features:

- Excellent Lifetime
- Robust Construction
- Simple mounting

Applications:

- Injection Moulding Machines
- Textile Washing Machines
- Instrumentation



Electrical Data:		Mechanical Data:	
Resistance Range	5 kΩ , 10 kΩ (see Table)	Life	5'000'000 Strokes
Resistance Tolerance	± 20%	Repeatability	0.01mm
Linearity	± 0.5% optional +/- 0.25%	Operating Speed	Max 10 m/s
Power Rating	0.5 W at 70°C	Protection Class	IP65
Eff. Electrical Travel	50mm – 300mm		
Resolution	Essentially ∞		
Max. End Voltage	<0.5% of applied Voltage		
Max. Wiper Current	10 mA in case of Failure		
Recommended Wiper Current	1 mA		
Insulation Resistance	500MΩ at 500 VDC		
Dielectric Strength	500 VAC		
Temperature Coefficient	400 ppm/°C		

Environmental Data:

Storage Temperature : -40°C to +105°C
Operating Temperature : -40°C to +105°C
Terminals : Shielded Cable 1m

Material:

Housing : Black anodised ALU
Push Rod : Stainless Steel

Linear Motion Potentiometer
Model WT-22
 ø 22 mm
 5 000 000 strokes
 Conductive Plastic

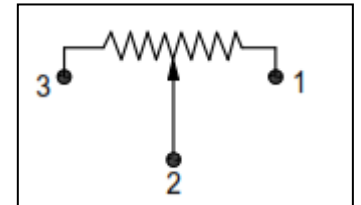
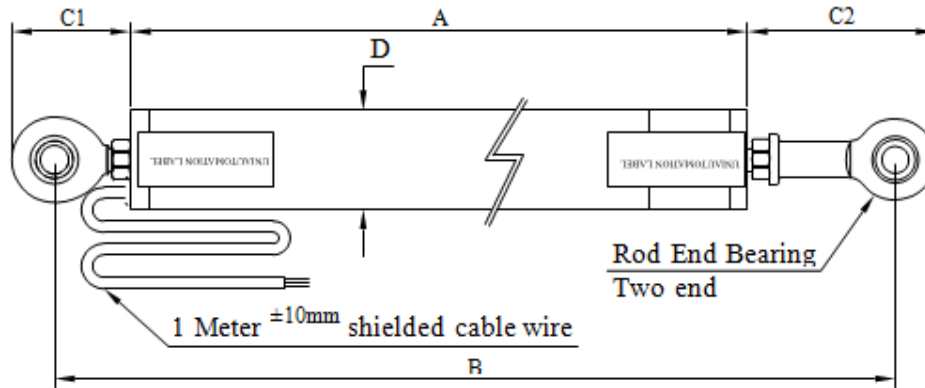


RESENZO
 SMARTER SENSING AND CONTROL

Standard Design:

Connection Diagram:

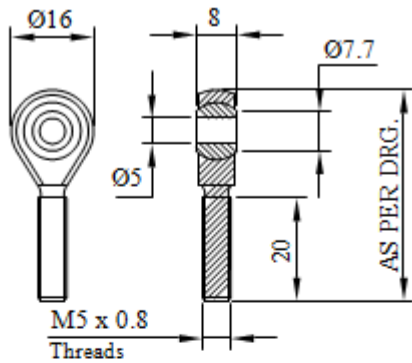
Dimensions :- Metric



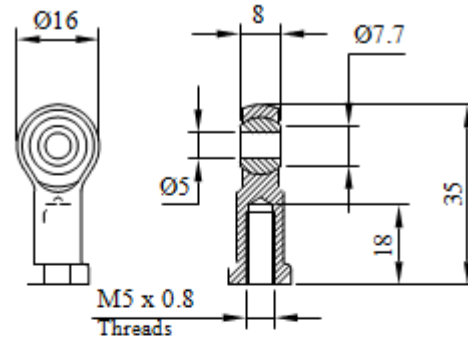
WT 22 series Stroke length	50	75	100	150	200	250	300	Tol.
Electrical stroke length	50	75	100	150	200	250	300	±5.0
Mechanical stroke length	55	80	105	155	205	255	305	±5.0
Body length - A	146	166	166	216	266	316	366	±1.0
REB center to center- B	196	216	216	266	316	366	416	±1.0
Body diameter - D	Dia 22							±0.2
Mounting accessories C1 & C2 Detail page : 2 of 3	Optional : Link ball, One side REB, Mounting Clamp							----
Out put Signals Module (Optional) Details Page: 3 of 3	4-20 mA, 0-10 VDC module, Display unit.							----
Spring return device (Optinal Feature)								

STANDARD CHART FOR LINEAR POTENTIOMETER WT 22 RESISTANCE VALUE		
Sr.	STROKE	RESISTANCE RANGE
1.0	50 MM	5 KΩ ± 20%
2.0	75 MM	
3.0	100 MM	
4.0	150 MM	
5.0	200 MM	10 KΩ ±20%
6.0	250 MM	
7.0	300 MM	

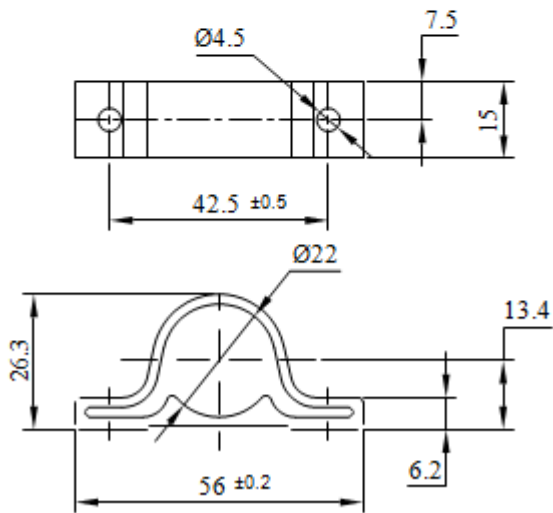
Mounting Accessories



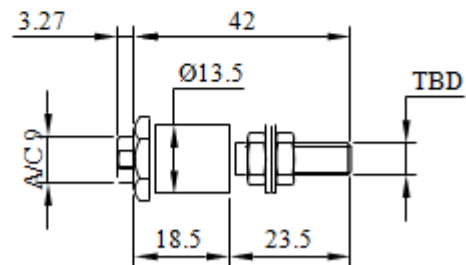
MALE REB (C1)



FEMALE REB (C2)



MOUNTING CLAMP (OPTIONAL)



LINK BALL

Specifications subject to change without notice

Output Signal Modules (optional)

