

Singel Turn Potentiometer

Model PL27- PL 27 E

ø 27 mm

5 000 000 Cycles

Conductive plastic



RESENZO
SMARTER SENSING AND CONTROL

Features:

- Bushing mount
- High rotational life
- Excellent Linearity
- Dual track available
- Spring return possible

Applications:

- Joy-Sticks
- Valve regulation
- Door and gate automation



Electrical Characteristics:

Resistance range	: 5kΩ (5Kx2)
Resistance tolerance	: ± 20%
Electrical angle	: 270° +/- 3°
Independent linearity	: ± 0.5%
Power rating	: 2W
Resolution	: Essentially infinite
max. Wiper-current	: 10mA, 10s
Insulation resistance	: 1000 MΩ bei 500Vdc
Dielectric strength	: 500Vac
Temperature coefficient	: ± 400 ppm/°C

Mechanical Characteristics:

Mechanical Rotational life:	5 000 000 Cycles
Mechanical angle	: 270° stopper
Protection rating	: IP 65
Torque	: 10 Nmm

Environmental Characteristics:

Storage temperature:	: -40°C ÷ +105°C
Operating temperature	: -40°C ÷ +105°C

Material:

Housing	: Engineering Plastic
Shaft	: Stainless steel
Connections	: PCB gold plated pad

Singel Turn Potentiometer

Model PL27- PL 27 E

Ø 27 mm

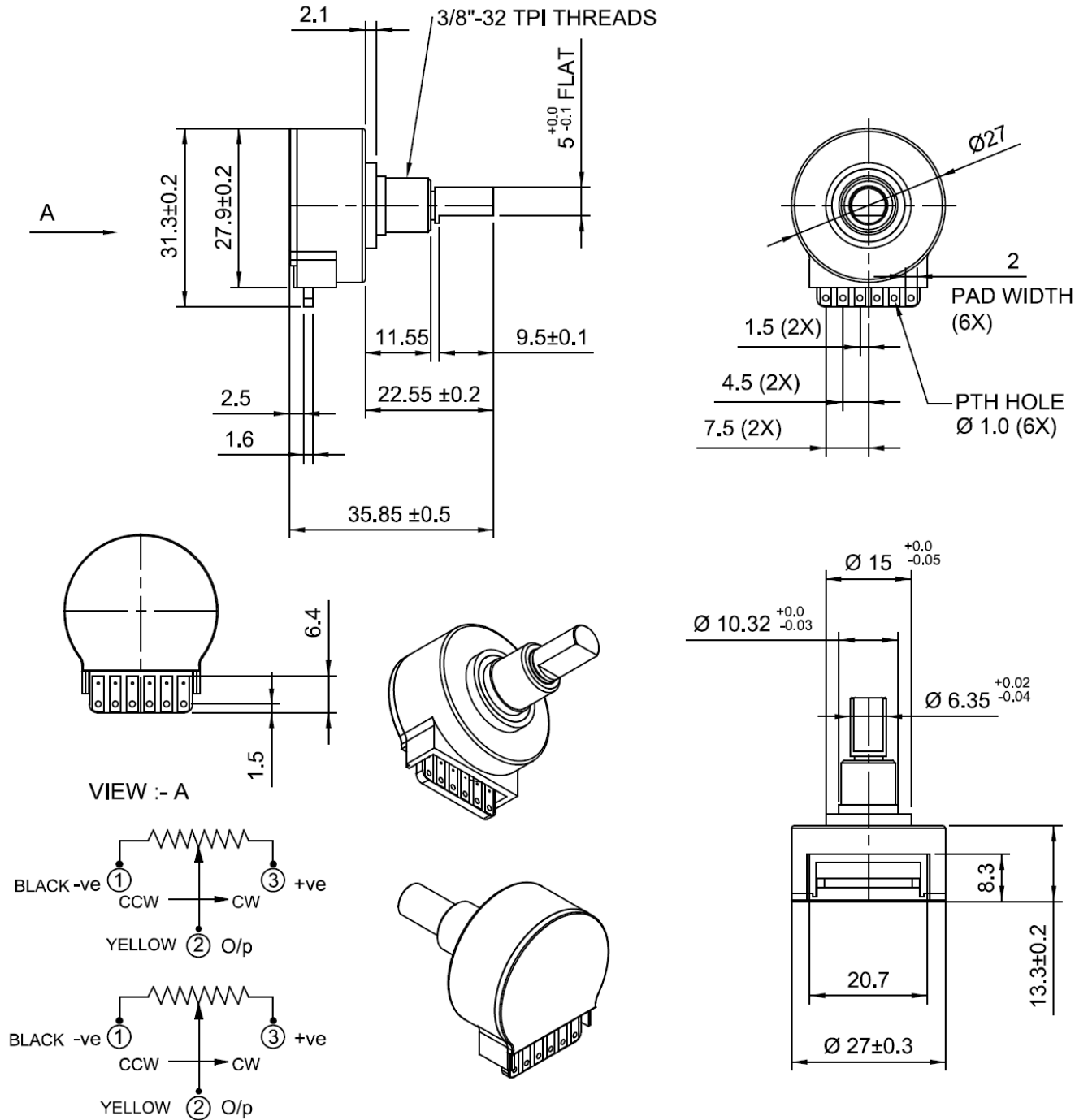
5 000 000 Cycles

Conductive plastic



RESENZO
SMARTER SENSING AND CONTROL

P 27



Singel Turn Potentiometer

Model PL27- PL 27 E

∅ 27 mm

5 000 000 Cycles

Conductive plastic



RESENZO

SMARTER SENSING AND CONTROL

P 27 E

