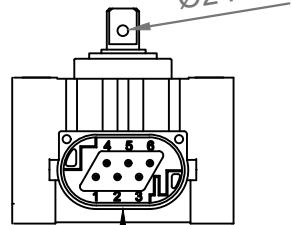
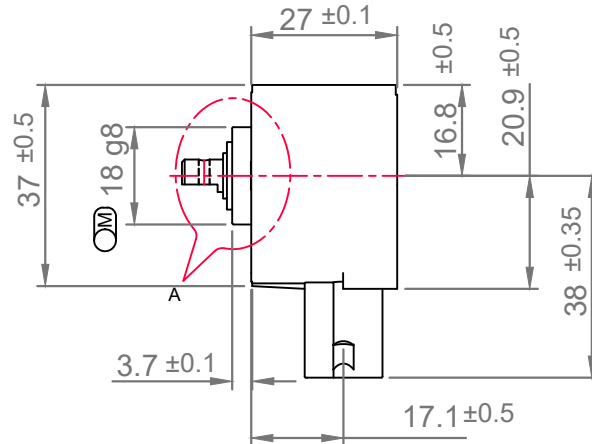


TOP VIEW

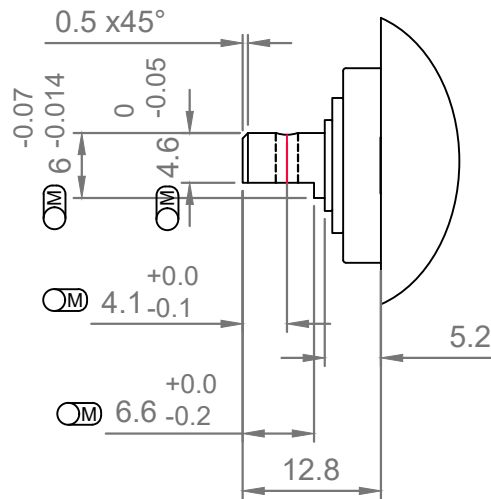


FRONT VIEW

CONNECTOR : AMP Nr. 1-967616-1
 TERMINAL : AMP Nr. 0-0962885-5
 WIRE SEAL : AMP Nr. 0-0967067-1



SIDE VIEW



SCALE 1:1
 DETAIL A

	END USER SAFETY / STATUTORY
	PERFORMANCE
	MOUNTING
No SYMBOL	LAYOUT INSPECTION

ELECTRICAL CHARACTERISTICS	UNITS	VALUE
ACTUAL ELECTRICAL TRAVEL	DEG.	PROGRAMABLE (MINIMUM 14)
OUTPUT CURRENT	mA	10
SHORT CIRCUIT OUTPUT CURRENT	mA	15
RESOLUTION	DEG.	0.01
HYSTERESIS	%	±0.05
RELATIVE LINEARITY	%	± 1
OFFSET VOLTAGE	mV	±50 (@ 0 DEG)
OFFSET VOLTAGE DRIFT	ppm/K	±65
SUPPLY VOLTAGE	V	4.75 to 5.25
SUPPLY CURRENT	mA	10 (MAXIMUM)
REVERSE POLARITY	V	-12 V
OVER VOLTAGE	V	+18
TOLERANCE FOR START POSITION	mV	±50
TOLERANCE FOR FINAL POSITION	mV	±50
OUTPUT LOAD	KΩ	4.7 (MINIMUM)

ENVIRONMENTAL CHARACTERISTICS :-

TEMPERATURE OPERATING	°C	-40 to +150
TEMPERATURE STORAGE	°C	-40 to +150
IP PROTECTION	IP	69K

MECHANICAL CHARACTERISTICS :-

MECHANICAL TRAVEL	DEGREES	360°
-------------------	---------	------

MATERIALS OF CONSTRUCTION:-

HOUSING	--	TBD
SHAFT	--	TBD
CAP	--	TBD
SLEEVE BEARING TYPE	--	TBD
CUP SEAL	--	TBD



HALL EFFECT POSITION SENSORS

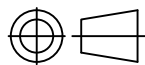
HEPS 100 SERIES

FIRST ISSUE : 29/01/19

SCALE : 1:1

TOLERANCES
 DIN-ISO 2768-1 (1991-06)
 (TOLERANCE CLASS-MEDIUM)

PART NO
219XXX



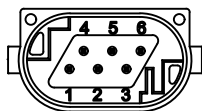
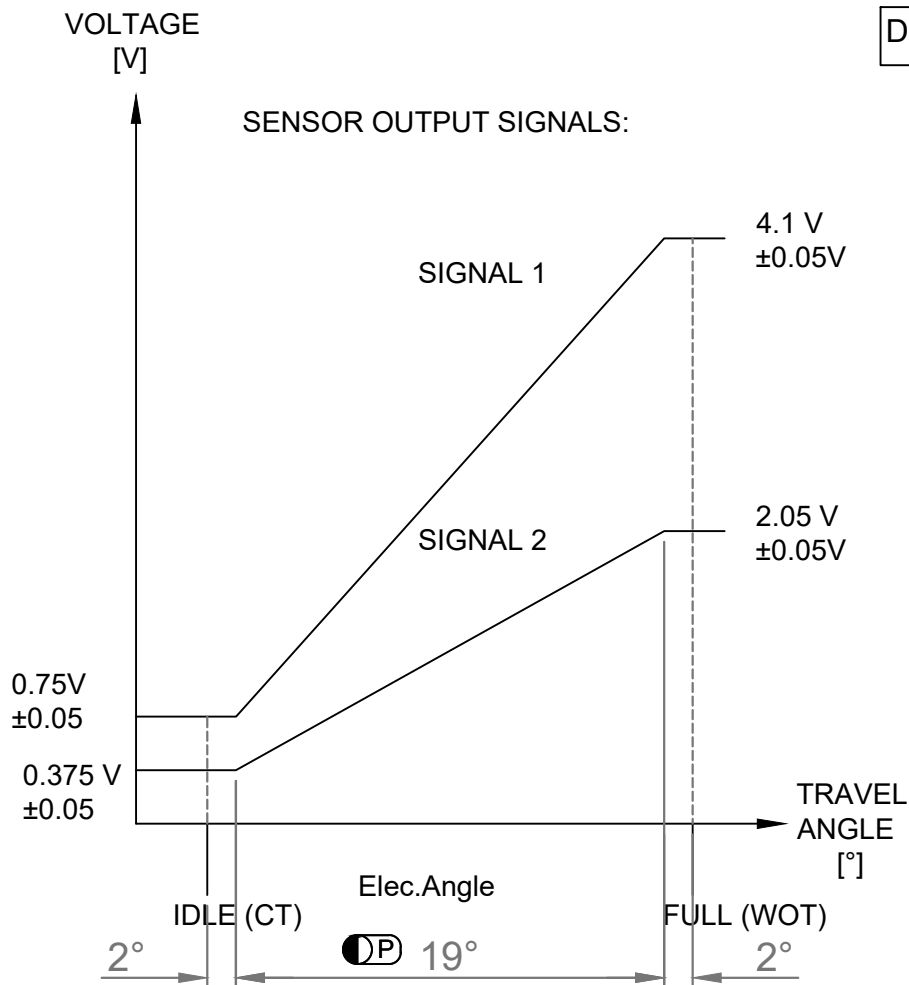
CUSTOMER DRAWING REF NO
 NA

REV -NEW VERSION

CUSTOMER :

SHEET 1 of 3

Dimensions :- Metric(Inch)



	FUNCTION	PIN N°
SIGNAL 1	SUPPLY +5v	1
	GROUND 0V	2
	SIGNAL 0.75V-4.1V	4
SIGNAL 2	SUPPLY +5v	6
	GROUND 0V	5
	SIGNAL 0.375V-2.05V	3



RESENZO
SMARTER SENSING AND CONTROL

HALL EFFECT POSITION SENSORS

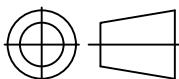
HEPS 100 SERIES

FIRST ISSUE : 29/01/19

SCALE : 1:1

TOLERANCES
DIN-ISO 2768-1 (1991-06)
(TOLERANCE CLASS-MEDIUM)

PART NO
219018

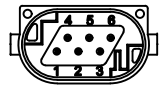
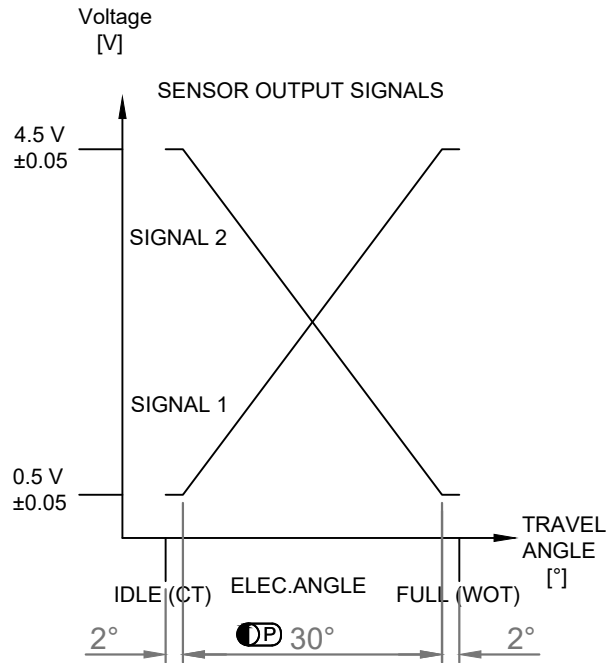


CUSTOMER DRAWING REF NO
NA

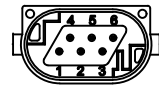
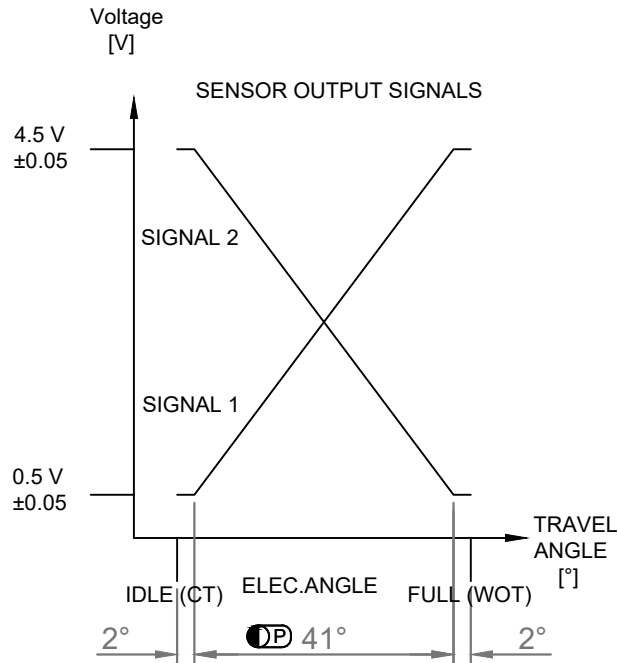
REV -NEW VERSION

CUSTOMER :

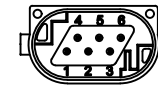
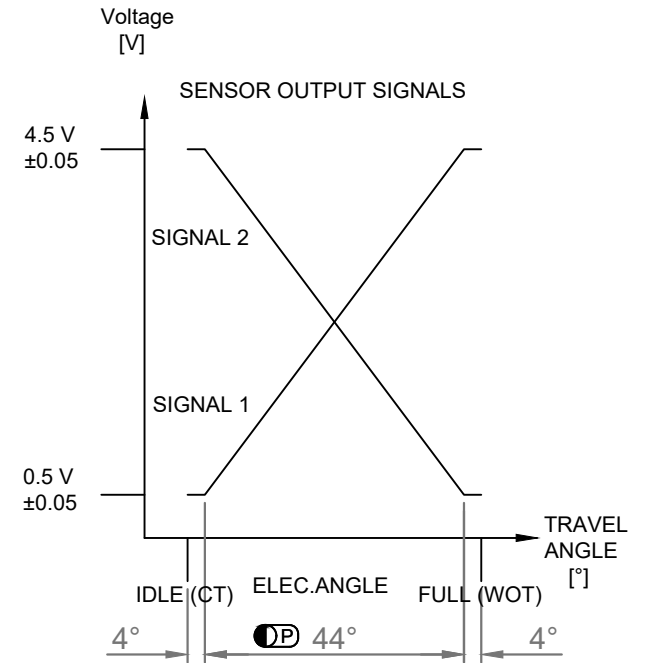
SHEET 2 of 3



	FUNCTION	PIN N°
SINGNAL 1	SUPPLY +5v	1
	GROUND 0V	2
	SINGNAL 0.5V-4.5V	4
SINGNAL 2	SUPPLY +5v	6
	GROUND 0V	5
	SINGNAL 4.5V-0.5V	3



	FUNCTION	PIN N°
SINGNAL 1	SUPPLY +5v	1
	GROUND 0V	2
	SINGNAL 0.5V-4.5V	4
SINGNAL 2	SUPPLY +5v	6
	GROUND 0V	5
	SINGNAL 4.5V-0.5V	3



	FUNCTION	PIN N°
SINGNAL 1	SUPPLY +5v	1
	GROUND 0V	2
	SINGNAL 0.5V-4.5V	4
SINGNAL 2	SUPPLY +5v	6
	GROUND 0V	5
	SINGNAL 4.5V-0.5V	3



HALL EFFECT POSITION SENSORS

HEPS 100 SERIES

FIRST ISSUE : 29/01/19

SCALE : 1:1

TOLERANCES
DIN-ISO 2768-1 (1991-06)
(TOLERANCE CLASS-MEDIUM)

PART NO
219xxx



CUSTOMER DRAWING REF NO
NA

REV -NEW VERSION

CUSTOMER :

SHEET 3 of 3

Sr.NO.	PART NUMBER	ELECTRICAL ANGLE	MECHANICAL ANGLE AFTER PEDAL ASSLY.
01	219014	30°	34°
02	219016	41°	45°
03	219017	44°	52°

UAPL PART NUMBER DETAILS