

Linear Motion Potentiometer
Model WT-10 Spring Return
Measuring Range 50-100mm
∅ 10 mm
10 00 000 Strokes
Conductive Plastic



RESENZO
SMARTER SENSING AND CONTROL

Features:

- Excellent Lifetime
- Robust Construction
- Simple Mounting flange or Mounting clip
- Single or duplex Signal output



Electrical Data:		Mechanical Data:	
Resistance Range	1 to 10 kΩ – 2x 1 to 10 kΩ	Electrical Life / Strokes	10'000'000
Resistance Tolerance	± 30%	Repeatability	0.01 mm
Linearity	± 0.5% / ±1.0%	Adjustment Speed	Max. 2 m/s
Power Rating	1W	Protection Class	IP 52
Eff. Electrical Travel	50mm – 100mm		
Resolution	Essentially ∞		
Max. End Voltage	0.5%		
Max. Wiper Current	10 mA in case of Failure		
Recommended Wiper Current	< 0.001 mA		
Insulation Resistance	100 MΩ at 250 VDC		
Dielectric Strength	500 VAC		
Temperature Coefficient	400 ppm/°C		

Environmental Data:

Storage Temperature : -40°C to +105°C
Operating Temperature : -40°C to +105°C
Vibration : 20 G
Shock : 50 G

Material:

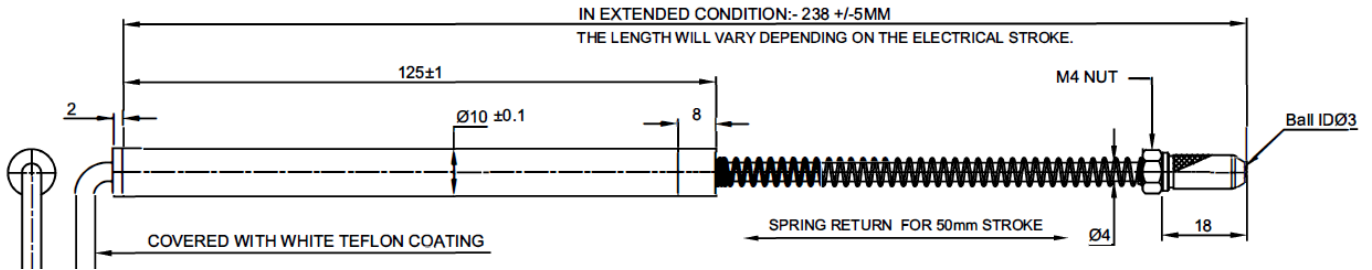
Housing : Black anodised ALU
Push Rod : Stainless Steel
Terminals : Cables 3/(6)x0.20mm² /200mm

Linear Motion Potentiometer
Model WT-10 Spring Return
Measuring Range 50-100mm
∅ 10 mm
10 00 000 Strokes
Conductive Plastic

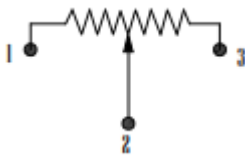


RESENZO
 SMARTER SENSING AND CONTROL

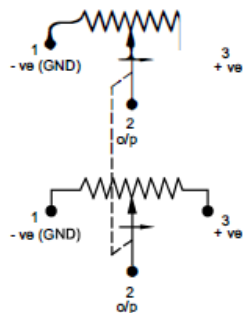
Standard Drawing WT-10 spring return with mounting clamp:



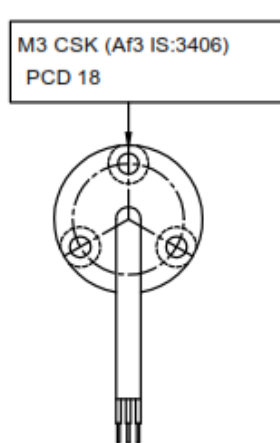
**Connection Diagram
Single output:**



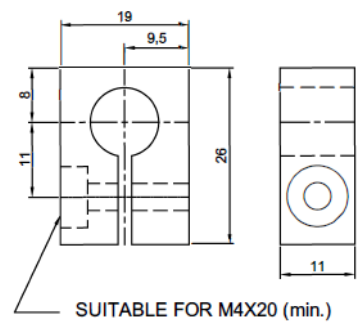
**Connection Diagram
Duplex output:**



**Mounting Flange
Details:**



**Mounting clamp
Details:**



Options:

Upon Request
 Specifications subject to change without notice