

Contactless Rotative Sensor

Model CL22

ø 22 mm



RESENZO
SMARTER SENSING AND CONTROL

Features

- Excellent linearity
- Rugged construction
- Higher rotational life
- Reliable and steady output
- Individual programmable angle, characteristic curve
- Low friction due to contactless design

Applications

- Joysticks
- valve control
- steering angle fork lift
- servosystems
- shaft control



Electrical Characteristics:

Actual Electrical Travel	360° (also possible in 320° & other customizations)
Output (Single/ Dual)	0-5 V Analog output (Programmed as per req.) / 5 V PWM (Programmed as per req.)
Operating Input Voltage	Typical 5Vdc (Special 10Vdc /24 Vdc)
Overvoltage Limits	24 Vdc
Reverse voltage protection	-12 VDC (breakdown at -14V)
Output Current	10 mA Max.
Output Load	4.7 kΩ Min., 10 kΩ Typical
Analog output resolution	0.025% of Vdd
Linearity	Typical < 1% (Special < 0.5%)
Supply Current	10 mA max
Dielectric Strength	750 Vdc
Insulation Resistance	1000 MΩ
Electrostatic Discharge (ESD)	Passes 2 kV test

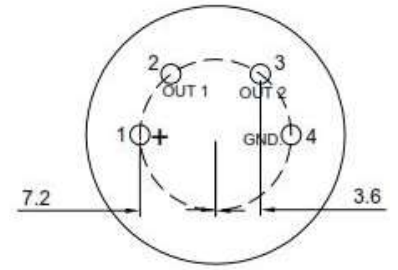
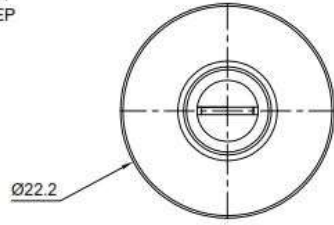
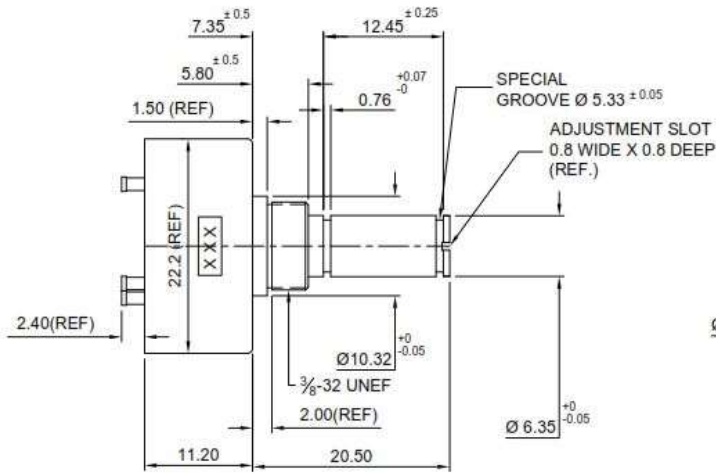
Mechanical Characteristics:

Mechanical travel	360° Continuous
Life time	>10 Million Cycles
Operating Temperature	-40 to +125 °C
Standard	IP50
Housing	Aluminium with Black anodized
Shaft	Stainless Steel

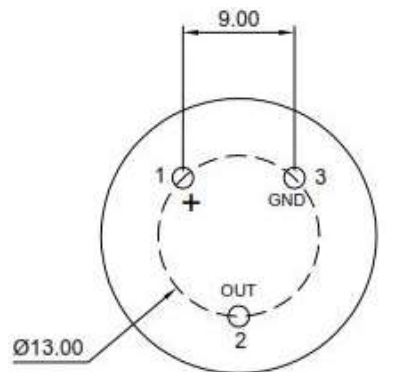
Contactless Rotative Sensor
Model CL22
∅ 22 mm



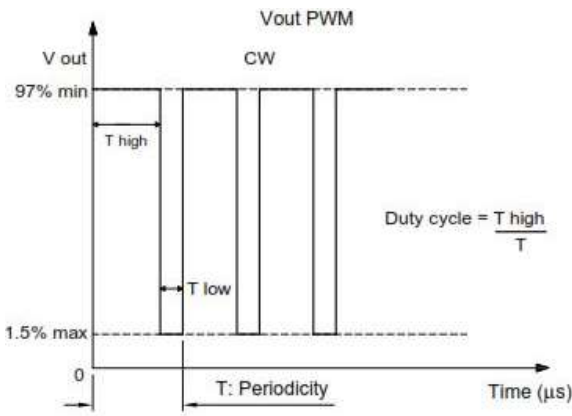
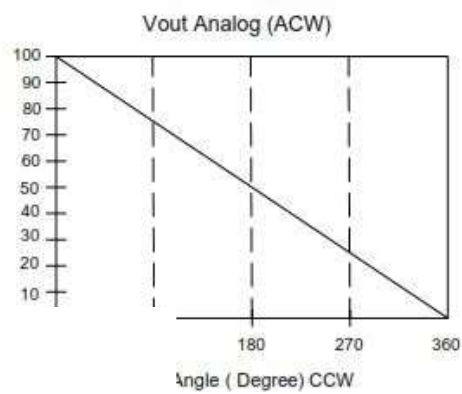
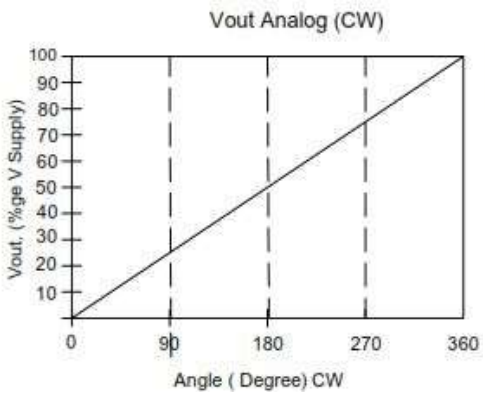
RESENZO
 SMARTER SENSING AND CONTROL



REAR VIEW- DUAL O/P



REAR VIEW- SINGLE O/P



PART NUMBERS	
U219005	CL-22 Single output (Analog)
U219004	CL-22 Dual output (Analog)
U219007	CL-22 Single output (PWM)
U219008	CL-22 Dual output (PWM)

*Specifications subject to change without notice.
 All Dimensions in mm.