

# LINEAR MOTION POTENTIOMETER

Model WPL - LH

Electrical Travel 25 – 300 mm

∅ 16 mm

10 Mio. Cycles

Conductive plastic



**RESENZO**  
SMARTER SENSING AND CONTROL

## Characteristics:

- Excellent Lifetime
- Robust construction
- Simple mount

## Options:

- Linearity  $\pm 0.25\%$
- Other electrical travels



Electrical Characteristics		Mechanical Characteristics	
Resistance range	1- 12 k $\Omega$	Rotational life	10'000'000 Cycles
Resistance tolerance	+/- 20%	Repeatability	0.05mm
Linearity	$\pm 1\%$ optional +/- 0.5%, 0.25%	Adjustment Speed	Max. 0.5 m/s
Power rating	0.5 W at 40°C	Protection rating	IP 63
Effective Electrical Travel	10mm – 50mm	Adjustment Force	
Resolution	Essentially infinite		
max. Wiper current	10 mA (malfunction)		
Dem. Wiper current	< 0.001 mA		
Insulation resistance	10G $\Omega$ bei 500 VDC		
Dielectric Withstanding Voltage	700 VAC		
Temperature Coefficient at Voltage Divider	20 ppm/°C		

Environmental Conditions		Material	
Storage temperature	-25°C ÷ +105°C	Housing	Anod. Aluminium
Operating temperature	-25°C ÷ +85°C	Connections	Cable 3 x 0.14 mm <sup>2</sup> / 1m
Climatic rating	25/085/56	Push bar	Stainless steel
Vibration	10G		
Shock	50G		

# LINEAR MOTION POTENTIOMETER

Model WPL - LH

Electrical Travel 25 – 300 mm

∅ 16 mm

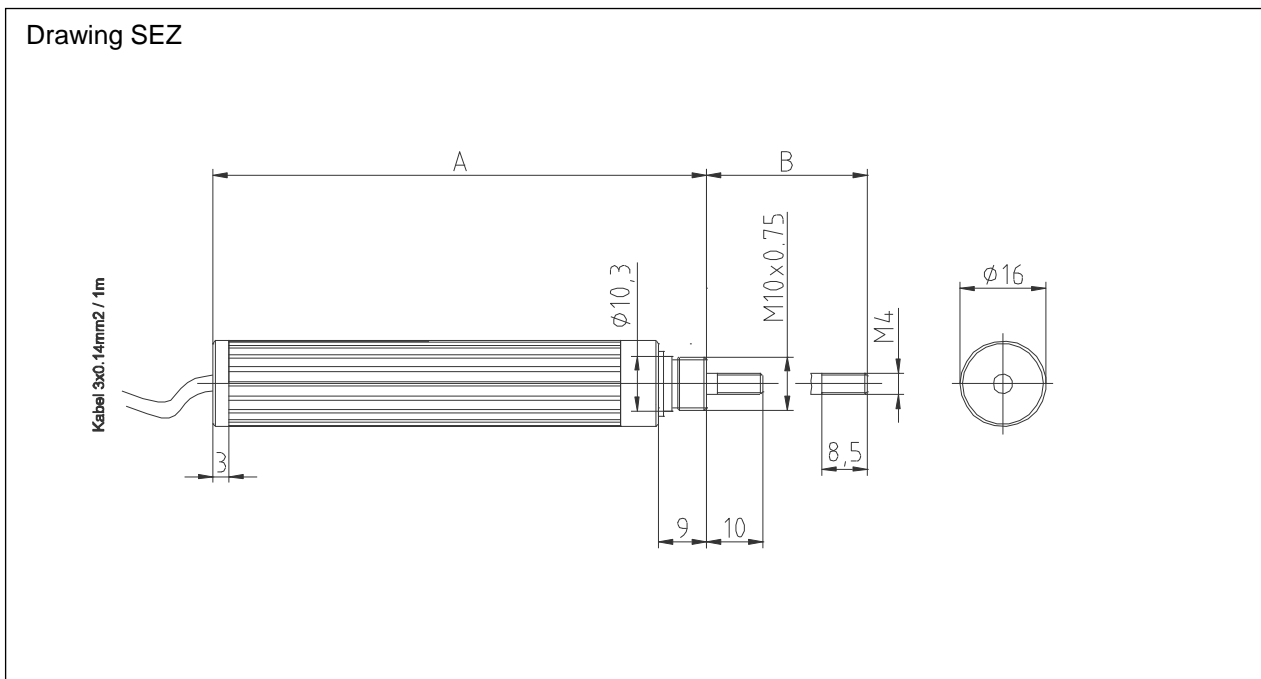
10 Mio. Cycles

Conductive plastic



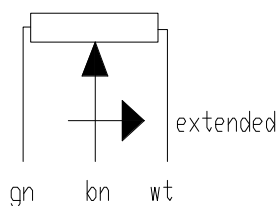
**RESENZO**  
SMARTER SENSING AND CONTROL

## Standard Model SEZ:



Model WPL-LH-SEZ-XXX	25	50	75	100	150	250	300
Electrical travel (mm)	25	50	75	100	150	250	300
Mechanical travel (mm)	26	51	76	101	151	251	301
Dimensions A (mm)	67	92	117	142	192	292	342
Dimensions B (mm)	36	61	86	111	161	261	311
Resistance +/- 20% (kohm)	10	10	10	10	10	17	21

Connections



# LINEAR MOTION POTENTIOMETER

Model WPL - LH

Electrical Travel 25 – 300 mm

∅ 16 mm

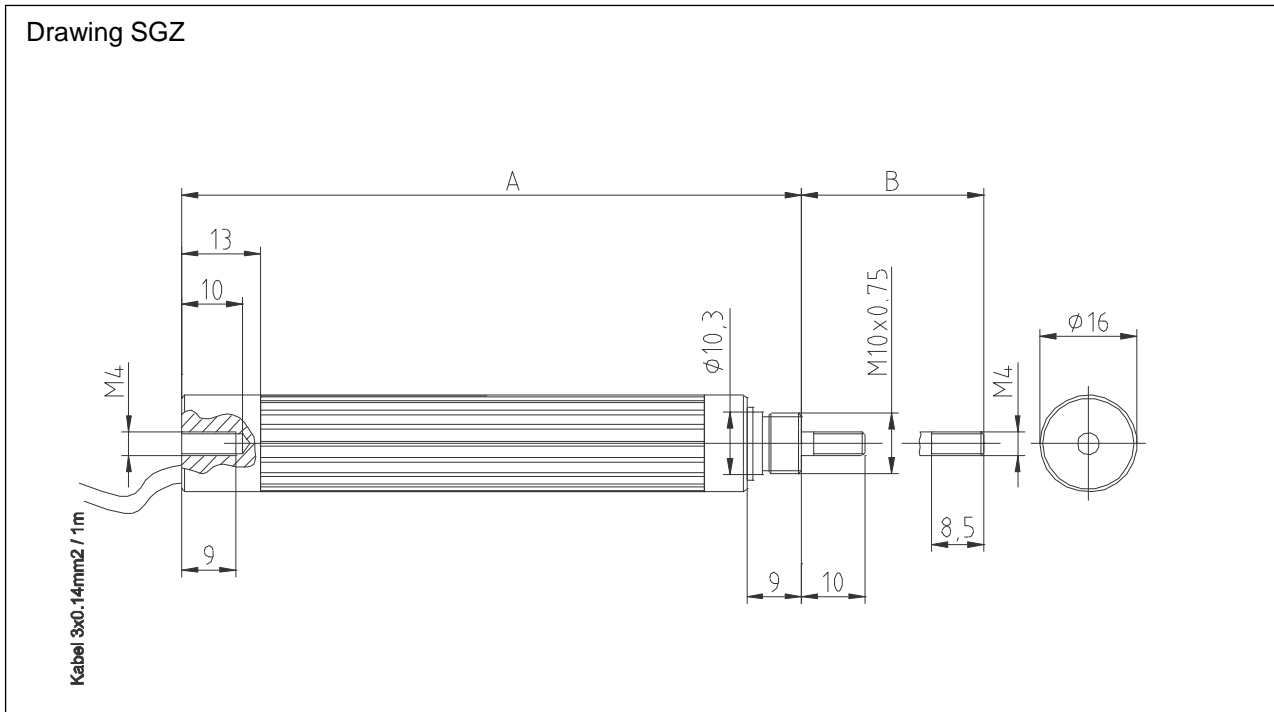
10 Mio. Cycles

Conductive plastic



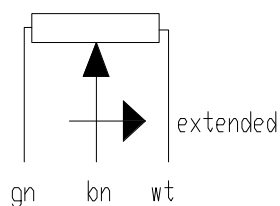
**RESENZO**  
SMARTER SENSING AND CONTROL

## Standard Model SGZ:



Model WPL-LH-SGZ-XXX	25	50	75	100	150	250	300
Electrical travel (mm)	25	50	75	100	150	250	300
Mechanical travel (mm)	26	51	76	101	151	251	301
Dimensions A (mm)	77	102	127	152	202	302	352
Dimensions B (mm)	36	61	86	111	161	261	311
Resistance +/- 20% (kohm)	10	10	10	10	10	17	21

Connections



# LINEAR MOTION POTENTIOMETER

Model WPL - LH

Electrical Travel 25 – 300 mm

∅ 16 mm

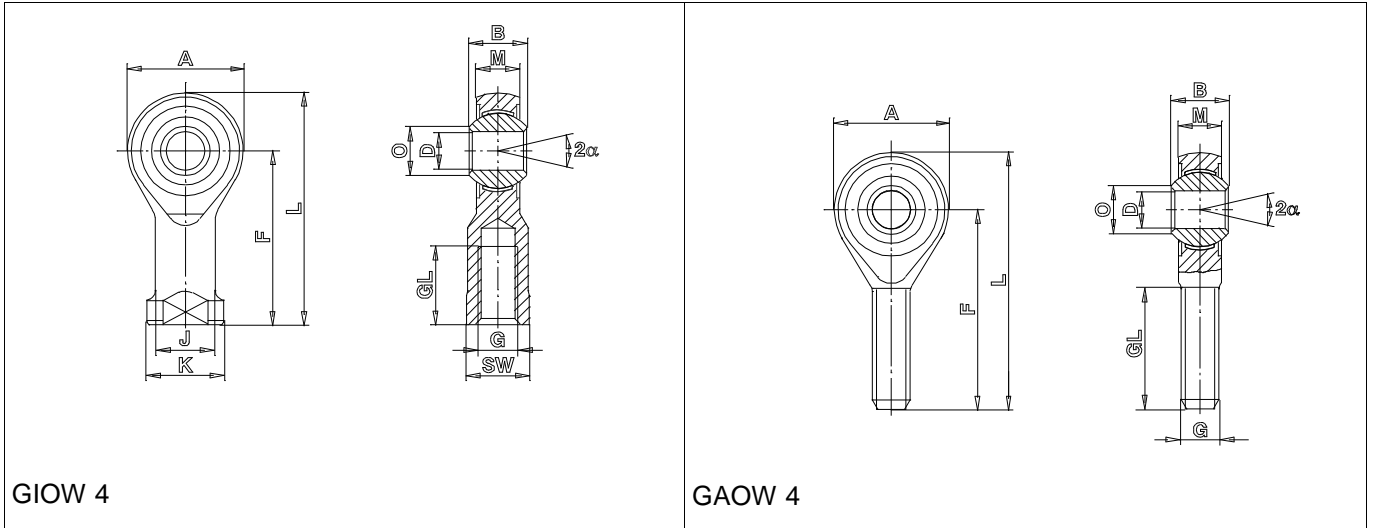
10 Mio. Cycles

Conductive plastic



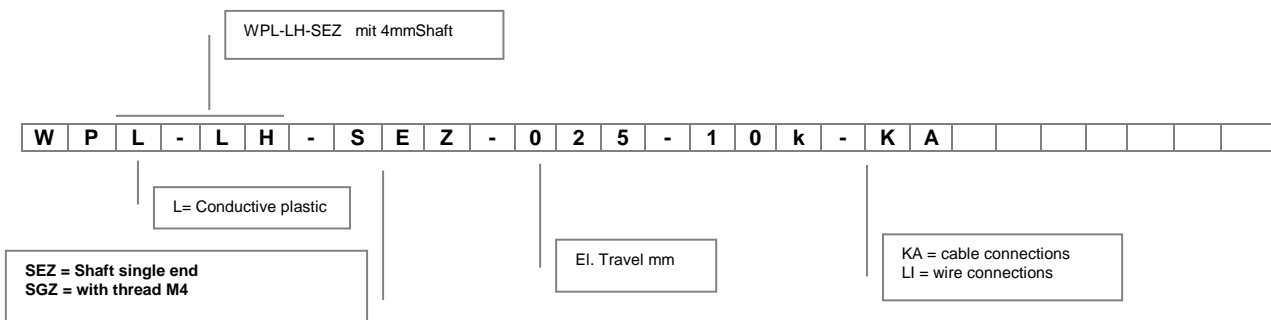
**RESENZO**  
SMARTER SENSING AND CONTROL

## Accessories:



GLOW 4	B	M	A	F	L	K	J	O	SW	G	GL
	7	5.25	14	24	31	9.5	7.8	6.5	8	M 4	12

GAOW 4	B	M	A	F	L	O	G	GL
	7	5.25	14	30	37	6.5	M4	19



Specifications subject to change without notice