

# SINGLE TURN POTENTIOMETER

Model POD 20

∅ 20 mm

100 000 Cycles

wirewound



**RESENZO**  
SMARTER SENSING AND CONTROL

## Features:

- Excellent rotational life
- Excellent resolution
- Bushing mount

## Application:

Temperatur regulation  
Solder/ Welding device  
measuring instrument

Options	
Shaft length	5mm – 40mm
Plastic slider	for Shaft ∅ 6 mm
Connections	Cable with connector Wires different length



## Electrical Characteristics:

Resistance range	: 100Ω ÷ 20kΩ
Resistance tolerance	: ± 5%
Electrical angle	: 320° nom.
Independent linearity	: ± 0.5%
Resolution	: 0.44 ÷ 0.12 %
End resistance	: < 1% R <sub>tot</sub> min. 3 ohm
Power rating	: 2W / 40°C
max. Wiper-current	: 50mA
max. contact resistance	: max. 100Ω bei 1mA
Insulation resistance	: 10GΩ bei 500Vdc
Dielectric strength	: 1000Vac
Temperature coefficient	: ± 40 ppm/°C

## Mechanical Characteristics:

Rotational life	: 100 000 Cycles
Mechanical angle	: 320°
Protection rating	: IP 65
Torque	: 0.7 cNm
Stop Torque	: ≤ 300mNm

## Environmental Characteristics:

Storage temperature	: -40°C ÷ +125°C
Operating temperature	: -25°C ÷ +105°C
Climatic rating	: 25/085/56
Vibration	: 10G
Shock	: 50G

## Material:

Housing	: Thermoplast
Shaft	: brass nickel plated
Connections	: brass gold plated

# SINGLE TURN POTENTIOMETER

Model POD 20

∅ 20 mm

100 000 Cycles

wirewound



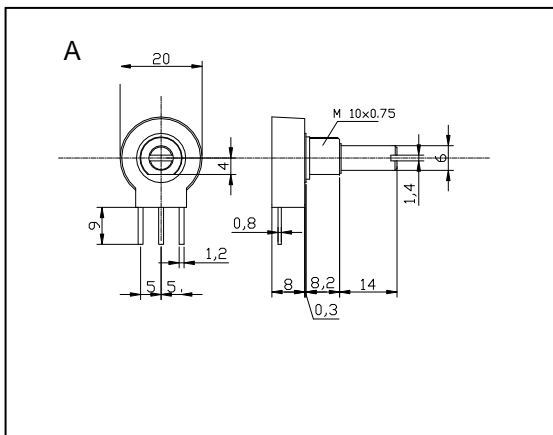
**RESENZO**  
SMARTER SENSING AND CONTROL

## Standard Potentiometers:

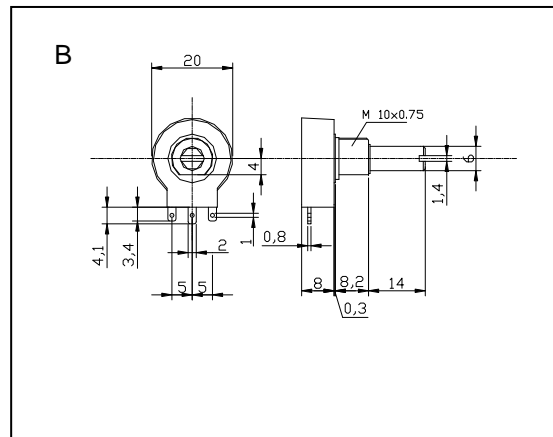
Typ	POD 20 MP	POD 20 MS		
	Print	Solder pins		
Shaft	14 mm	14 mm		
Drawing	A	B		
El. angle	320°	320°		
	Order number	Order number		
100Ω	14 00 10	14 04 10		
200Ω	14 00 11	14 00 11		
500Ω	14 00 12	14 04 12		
1kΩ	14 00 13	14 04 13		
5kΩ	14 00 15	14 04 15		
10kΩ	14 00 16	14 04 16		
20kΩ	14 00 17	14 04 17		

## Drawings :

### POD 20 MO- P



### POD 20 MO- S



POD 20= Potentiometer Standard

GL=Slider  
QL= Plastic slider

P O D 2 0 M R - S - - 1 0 k - 1 4 0 - 3 2 0 - A N S - G L

D= wirewound

Resistance  
100 ÷ 20 kohm  
Other on demand

M= Thread M10 Shaft 6mm

R = Rastnase  
O = ohne Rastnase

P= Print  
S= Solderpins  
Ll= Wires 145mm  
KS= Cable with connector

Shaft length 1/10mm  
14 mm standard

F = Flansch 10.3mm

El. Angle 320°

ANS= mech. Angle 320°

Specifications are subject to change without notice