

# SINGLE-TURN-POTENTIOMETER

Model POL 720

∅ 63 mm

300 000 cycles

Conductive Plastic



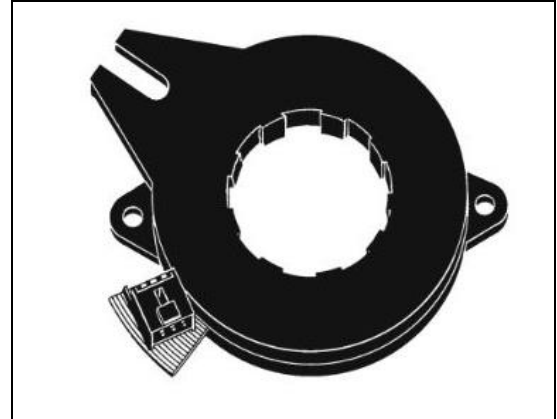
**RESENZO**  
SMARTER SENSING AND CONTROL

## Features:

- Essentially infinite resolution
- Excellent rotational life
- Robust Construction
- Non-standard features and specifications available

## Applications:

- Joysticks
- Valve Control
- Steering angle measurement
- Servo system



| Electrical Characteristics |                             | Mechanical Characteristics |                |
|----------------------------|-----------------------------|----------------------------|----------------|
| Resistance                 | 2 x 20 kΩ                   | Rotational life            | 500'000 Cycles |
| Resistance tolerance       | +/- 20%                     | mech. Angle                | 126°           |
| el. Angle                  | 41.5° + 43.5°               | Protection rating          | IP 50          |
| indep. Linearity           | +/- 0.5 % und +/- 1%        | Torque                     | typ. 0.7 cNm   |
| Power rating               | 0.5 W / T <sub>A</sub> 40°C |                            |                |
| rec. Wiper current         | < 0.1 μA                    |                            |                |
| max. Wiper current         | 10 mA (malfunction)         |                            |                |
| max. Wiper resistance      | 500 ohm (new)               |                            |                |
| Insulation resistance      | 10 GΩ / 500 VDC             |                            |                |
| Spannungsfestigkeit        | 1000 VAC / 1 min.           |                            |                |
| Temperature coefficient    | 600ppm / °C                 |                            |                |
| TC of voltage divider      | 40ppm / °C                  |                            |                |

| Environmental Conditions |                | Material    |                 |
|--------------------------|----------------|-------------|-----------------|
| Storage temperature      | -40°C ÷ +105°C | Housing     | Thermoplast     |
| Operating temperature    | -25°C ÷ +85°C  | Rotor       | Thermoplast     |
| Climatic rating          | 25/085/56      | Connections | 3 pin connector |
| Shock                    | 50G            |             |                 |
| Vibration                | 10G            |             |                 |

# SINGLE-TURN-POTENTIOMETER

Model POL 720  
 ø 63 mm  
 300 000 cycles  
 Conductive Plastic

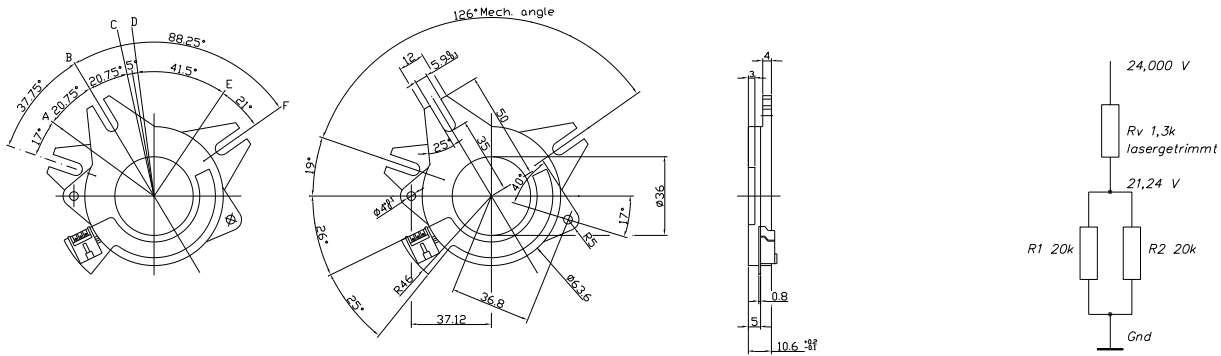


**RESENZO**  
 SMARTER SENSING AND CONTROL

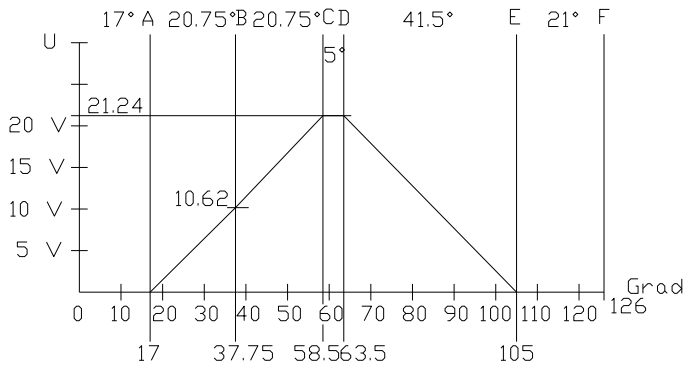
## Standard model:

POL 720

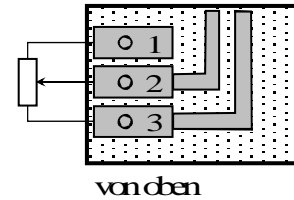
## Schema



## Output signal



## Connection



POL 720 = Potentiometer Standard

GL=Slider

P O L 7 2 0 - - S A - 2 x 2 0 k - 2 x 41 - A N S - G L

L= Conductive plastic

Resistance 2x20 kohm

SA= Connector

Ei. Anglel 2x41°

Specifications are subject to change without notice