

SINGLE TURN POTENTIOMETER

Model POL 16

16 mm x 20 mm

1 000 000 Cycles

Conductive Plastic



RESENZO
SMARTER SENSING AND CONTROL

Characteristics:

- High rotational life
- Robust Construction
- Excellent linearity

Applications:

- Welding and soldering equipment
- Set point specification
- Measuring instruments



Electrical Characteristics:

Resistance range	: 10k Ω or upon request
Resistance tolerance	: \pm 20%
Electrical Angle	: 310 $^{\circ}$ nom.
Linearity	: \pm 2 %
Power rating	: 0.5 W bei 40 $^{\circ}$ C
max. Wiper current	: 5 mA (malfunction)
Receommended wiper current	: 0.1 uA
Insulation resistance	: 10G Ω at 500Vdc
Dielectric strength	: 1000Vac
Temperature coefficient	: \pm 600 ppm/ $^{\circ}$ C

Mechanical Characteristics:

Rotational life	: 1,000,000 Cycles
Mechanical angle	: 320 $^{\circ}$
Protection rating	: IP 54
Torque	: 0.7 cNm
Mounting	: Bearing
End torque	: 50 Ncm
Torque	: typ. 0.7 Ncm
increased torque	: 2 to 5 Ncm

Umweltbedingungen:

Storage temperature	: -40 $^{\circ}$ C \div +105 $^{\circ}$ C
Operating temperature	: -25 $^{\circ}$ C \div +85 $^{\circ}$ C
Climatic rating	: 25/085/56
Vibration	: 10G
Shock	: 50G

Material:

Housing	: Thermoplast GF
Shaft	: Plastic
Connections	: strands

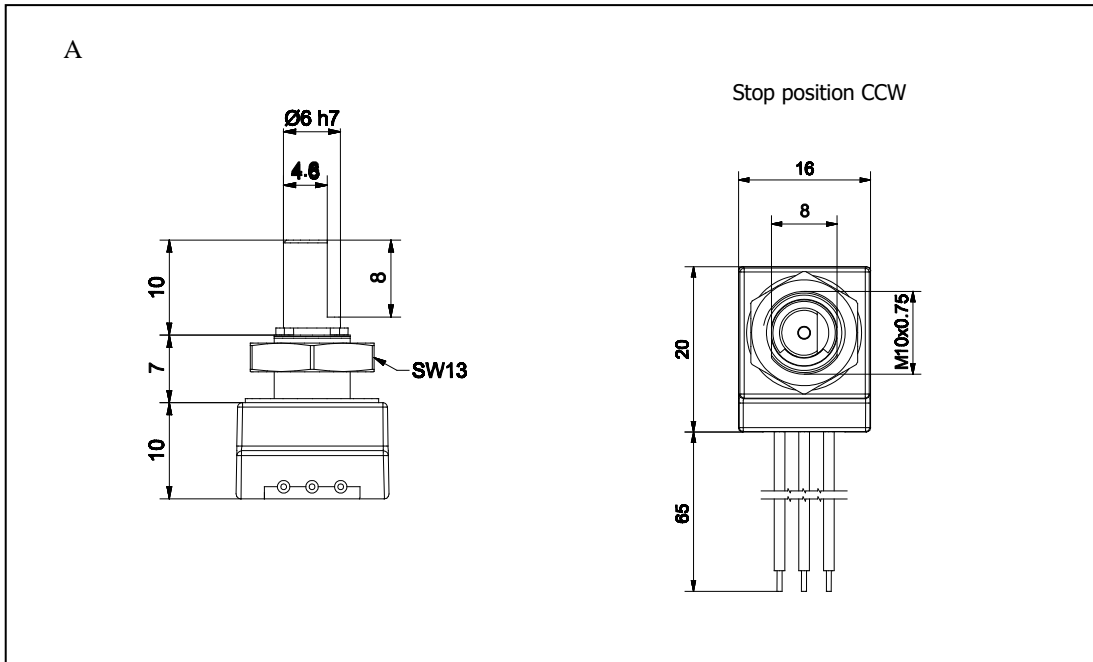
SINGLE TURN POTENTIOMETER

Model POL 16
16 mm x 20 mm
1 000 000 Cycles
Conductive Plastic



RESENZO
SMARTER SENSING AND CONTROL

Drawing:



Options:

Customised shaft lengths
Higher torque
Other electrical angles

How to order:

Part.Nr.	Model	Typ.	Res
	POL 16	LI	10k Ω

Specifications are subject to change without notice