

SINGLETURN-POTENTIOMETER

Model POC 20

Ø 20 mm

50 000 Cycles

Cermet



RESENZO
SMARTER SENSING AND CONTROL

Options	
Shaft length	5mm – 14mm
Connections	Solder pins Cable with connector Wires different length



Electrical Characteristics		Mechanical Characteristics	
Resistance range	100 ohm ÷ 1Mohm	Rotational life	50'000 Cycles
Resistance tolerance	+/- 10%	mech. Angle	275°
el. angle	270°	Protection rating	IP 65
in. Linearity	+/- 2%	Torque	typ. 0.7 cNm
Power rating	2 W / T _A 40°C		
Rend	1% von R _{nom}		
max. Wiper current	100 mA malfunction		
max. Wiper resistance	3% von R _{nom} .		
Insulation resistance	10 GΩ / 500 VDC		
Dielectric strength	1000 VAC / 1 min.		
Temperature coefficient	150ppm / °C		

Environmental Conditions		Material	
Storage temperature	-25°C ÷ +105°C	Housing	Thermoplast
Operating temperature	-25°C ÷ +85°C	Shaft	Brass nickel plated
Climatic rating	25/085/56	Connections	Wires
Shock	50G		
Vibration	10G		

SINGLETURN-POTENTIOMETER

Model POC 20

Ø 20 mm

50 000 Cycles

Cermet

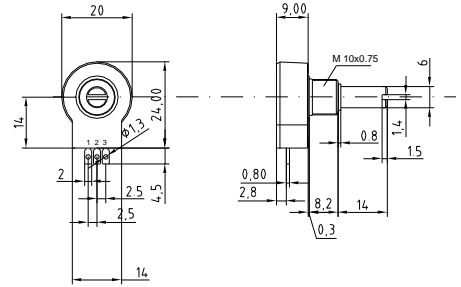
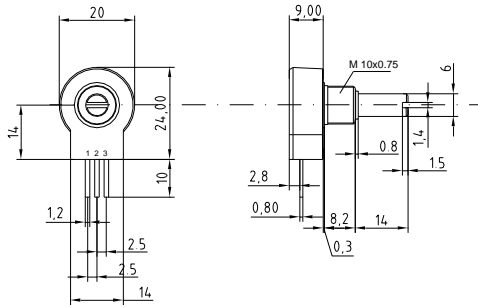


RESENZO
SMARTER SENSING AND CONTROL

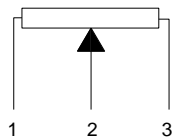
Standard model:

POC 20 M - PG

POC 20 M - SP



Connections
CW



GL=Slider

P O C 2 0 M R - L I - 1 0 0 k - 1 4 0 - 2 7 0 - A N S - G L

C= Cermet

M= thread M10 Shaft 6mm

R = with cam
O = without cam

F = Flansh 10.3mm

Resistance

Shaft length in 1/10mm
14 mm standard

LI= Wires145mm
KA= Cable
KS= Cable with connector

EI. Angiel 270°
Other on demand

ANS= mech. Angiel 275°

Specifications are subject to change without notice