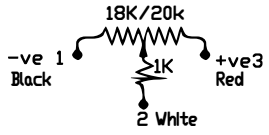
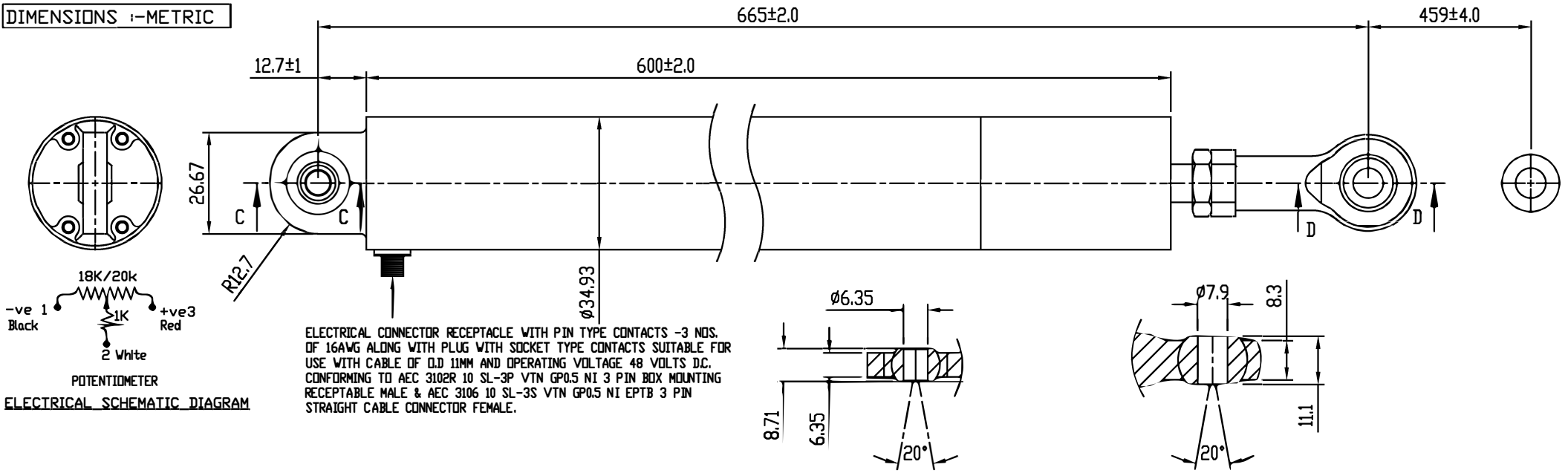


DIMENSIONS :-METRIC



ELECTRICAL SCHEMATIC DIAGRAM

ELECTRICAL CONNECTOR RECEPTACLE WITH PIN TYPE CONTACTS -3 NOS. OF 16AWG ALONG WITH PLUG WITH SOCKET TYPE CONTACTS SUITABLE FOR USE WITH CABLE OF Ø.D 11MM AND OPERATING VOLTAGE 48 VOLTS D.C. CONFORMING TO AEC 3102R 10 SL-3P VTN GP0.5 NI 3 PIN BOX MOUNTING RECEPTACLE MALE & AEC 3106 10 SL-3S VTN GP0.5 NI EPTB 3 PIN STRAIGHT CABLE CONNECTOR FEMALE.

ELECTRICAL CHARACTERISTICS	UNITS	VALUE
RESISTANCE ELEMENT.	--	WIRE WOUND
TOTAL RESISTANCE .	Ohms	18K
RESISTANCE TOLERANCE.	±%	10
WIPER PROTECTION RESISTANCE.	Ohms	1K±40%
STANDARD INDEPENDENT LINEARITY TOLERANCE.	±%	0.8
ELECTRICAL STROKE LENGTH .	mm	457 ±3
EQUIVALENT NOISE RESISTANCE .	Ohms	20 MAXIMUM
RESOLUTION.	--	BETTER THAN 0.15%
TEMPERATURE COEFFICIENT OF RESISTANCE(TCR).	ppm/deg C	±500
POWER RATING @ 20°C.	Watts	0.25±20%
INSULATION RESISTANCE @ 500 VDC.	M Ohms	100
DIELECTRIC STRENGTH 600 V rms. 50Hz	MINUTE	1
ELECTRICAL LIFE (CYCLES).	CYCLES	1,00,000
END RESISTANCE .	Ohms	30 MAXIMUM

MECHANICAL CHARACTERISTICS :-		
ROTATION (MECHANICAL STROKE LENGTH)	mm	459 ±4
BEARING TYPE.	--	SLEEVE
TORQUE, STARTING.	Nmm	5
SHAFT SPEED	MM/SEC.MAX	380

ENVIRONMENTAL CHARACTERISTICS :-		
RADIATION RESISTANCE	Mega Rad	100
HUMIDITY	%	95
OPERATING TEMPERATURE.	DEGREES C	-30 to +175
PERFORMANCE :-		
MECHANICAL LIFE (CYCLES).	CYCLES	1,00,000

THE PRODUCT HAS PASSED BELOW TESTS:

TEST	TEST SPECIFICATION
INSULATION RESISTANCE	VRCI-P-100A: >100 M-Ohm at 500VDC
DIELECTRIC STRENGTH	VRCI-P-100A: 600 Vrms, 50Hz, 1 min
ROOM-TEMPERATURE TEST	100 HOURS, 10VDC EXCITATION
LIFE-TEST	100,000 CYCLES, 90% STROKE, 10VDC EXCITATION
IMPACT BUMP	4000 bumps, 40g, X-axis, 3 bumps/sec
THERMAL AGEING	IEEE-323: 145 deg.C. FOR 15 DAYS (20 YEARS)
RADIATION AGEING	IEEE-323: 100 M-Rad, 0.2 M-RAD/HOUR
SEISMIC TEST	IEEE-344: 9 min total, 1 Hz to 50 Hz, X-Y 3.5g, Z 3g
CLIMATIC TEST	1. 4 HOURS at 55 deg.C, 50% RH 2. 24 HOURS CYCLING FROM 25 deg.C to 45 deg.C WITH 95% RH



**WIRE WOUND
RECTILINEAR POTENTIOMETER
MODEL WT35 (009) NA**

FIRST ISSUE: 07/12/2022	SCALE: 1:1		
TOLERANCES DIN-ISO 2768-1 (1991-06) (TOLERANCE CLASS-MEDIUM)	PART NO BPN 00269009	CUSTOMER DRAWING REF NO:- NA	REV -00
		CUSTOMER :	SHEET 1 of 1