

**Linear Motion Potentiometer**  
**Model WT-10**  
**Measuring Range 25-150mm**  
**∅ 10 mm**  
**10 00 000 Strokes**  
**Conductive Plastic**



**RESENZO**  
SMARTER SENSING AND CONTROL

**Features:**

- Excellent Lifetime
- Robust Construction
- Simple Mounting flange or Mounting clip
- Single or duplex Signal output



<b>Electrical Data:</b>		<b>Mechanical Data:</b>	
Resistance Range	1 to 10 kΩ	Electrical Life / Strokes	10'000'000
Resistance Tolerance	± 30%	Repeatability	0.01 mm
Linearity	± 0.5% / ±1.0%	Adjustment Speed	Max. 2 m/s
Power Rating	1W	Protection Class	IP 52
Eff. Electrical Travel	25mm – 150mm		
Resolution	Essentially ∞		
Max. End Voltage	0.5%		
Max. Wiper Current	10 mA in case of Failure		
Recommended Wiper Current	< 0.001 mA		
Insulation Resistance	100 MΩ at 250 VDC		
Dielectric Strength	500 VAC		
Temperature Coefficient	400 ppm/°C		

**Environmental Data:**

Storage Temperature : -40°C to +105°C  
Operating Temperature : -40°C to +105°C  
Vibration : 20 G  
Shock : 50 G

**Material:**

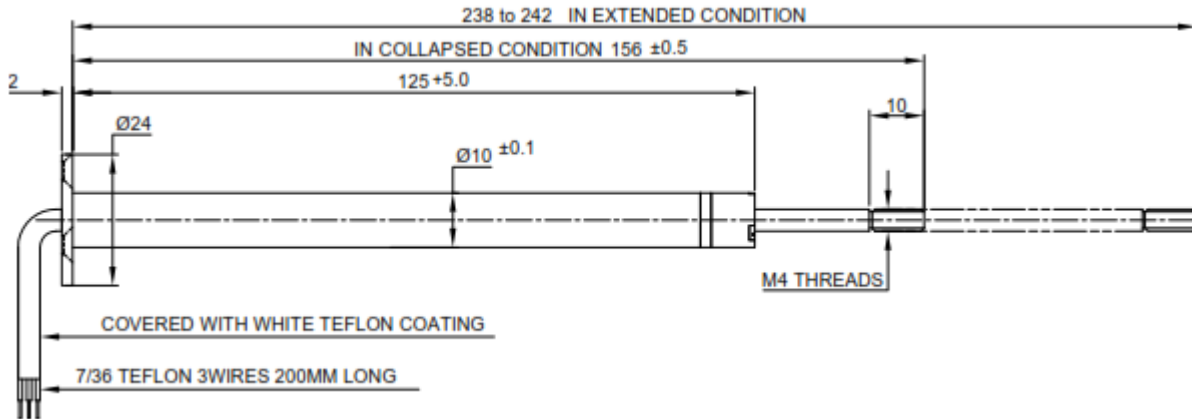
Housing : Black anodised ALU  
Push Rod : Stainless Steel  
Terminals : Cables 3(6)x0.20mm<sup>2</sup> / 200mm

**Linear Motion Potentiometer**  
**Model WT-10**  
**Measuring Range 25-150mm**  
**∅ 10 mm**  
**10 00 000 Strokes**  
**Conductive Plastic**

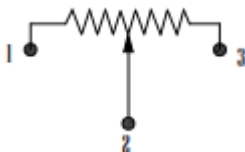


**RESENZO**  
 SMARTER SENSING AND CONTROL

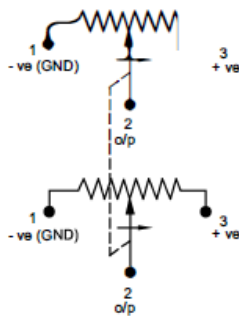
**Standard Drawing WT-10 with flange:**



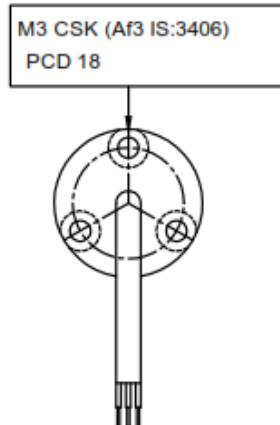
**Connection Diagram  
Single output:**



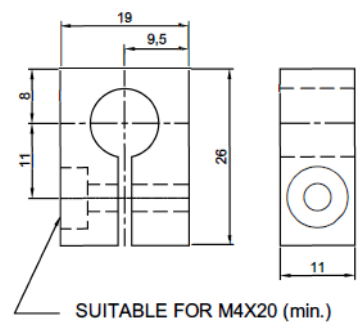
**Connection Diagram  
Duplex output:**



**Mounting Flange  
Details:**



**Mounting clamp  
Details:**



**Options:**

Upon Request  
 Specifications subject to change without notice