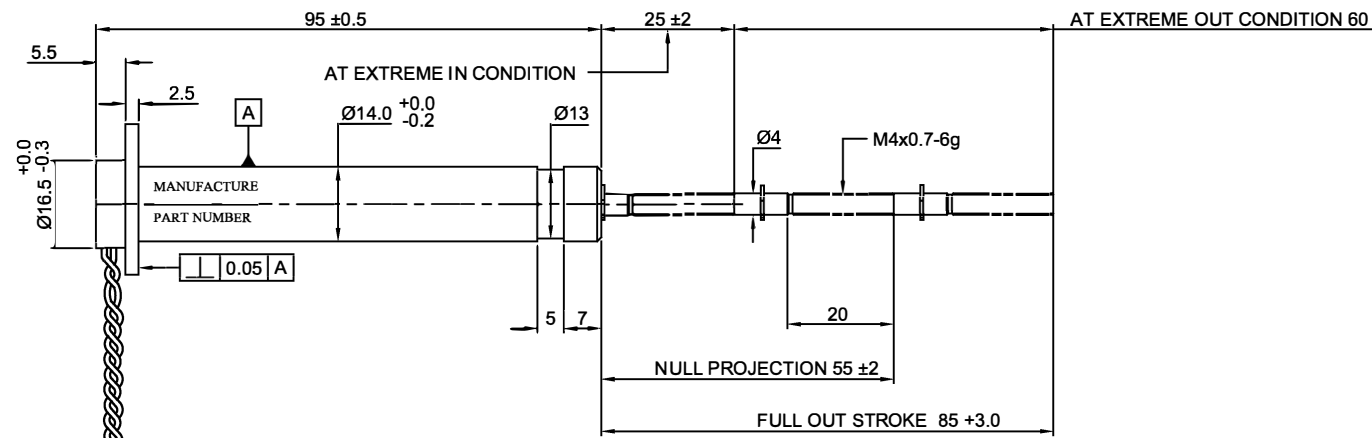
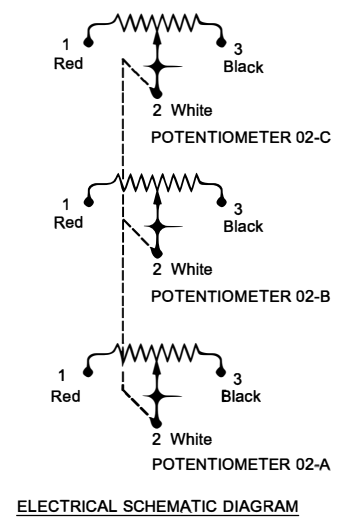
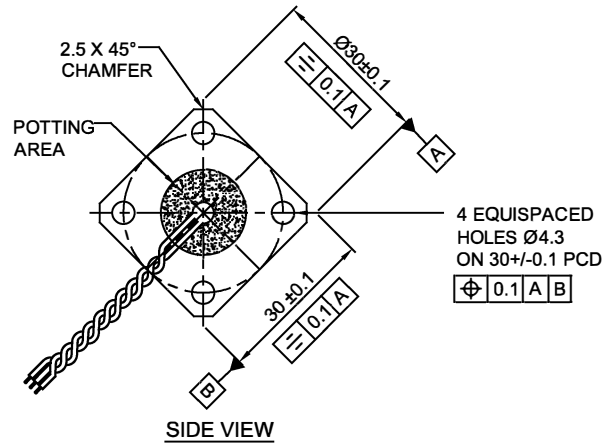


ALL DIMENSION IN METRIC



7/36 TEFLON WIRE
300MM ±10MM LONG (3X) SET



| ELECTRICAL CHARACTERISTICS | UNITS | VALUE |
|---|-------------|---------------------------------|
| RESISTANCE ELEMENT... | -- | CONDUCTIVE PLASTIC TRIPLE TRACK |
| RESISTANCE VALUE... | Ohms | 6.5k + 6.5K+6.5K |
| RESISTANCE TOLERANCE... | ±% | 20 |
| STANDARD INDEPENDENT LINEARITY TOLERANCE... | ±% | <0.3 |
| EFFECTIVE ELECTRICAL STROKE... | Stroke (mm) | 60±1.0 (30+30) |
| RESOLUTION... | -- | L |
| POWER RATING at 40°C ... | Watt | 1.5 |
| TEMPERATURE COEFFICIENT OF RESISTANCE(TCR)... | ppm/deg c | ±400 |
| RECOMMANDED WIPER CURRENT ... | µA | <0.1 |
| MAXIMUM WIPER CURRENT ... | mA | 10 |
| INSULATION RESISTANCE @ 50 VDC... | M Ohms | 100 |
| DIELECTRIC STRENGTH @ 1 MINUTE ... | V Ac | 500/50Hz |
| END VOLTAGE AS A % OF APPLIED VOLTAGE... | % | LESS THAN 0.5 |
| OUTPUT MACHING OF FSD... | % | ≤1 |
| TRACKING ERROR (TOLERANCE) OF FULL SCALE | % | ≤1 |

NOTE :-
CONTINUOUS IMPROVEMENTS ARE BEING MADE FOR ENHANCING PERFORMANCE FOR CUSTOMER BENEFIT IN PRODUCT DESIGN & PROCESS.THE PRODUCT SUPPLIED MAY BE SLIGHTLY DIFFERENT THAN DESCRIBED BY ABOVE SPECIFICATIONS
MARKING DETAILS:-
MANUFACTURER'S NAME ,PART NUMBER, RESISTANCE VALUE AND TOLERANCE, LINEARITY TOLERANCE, WIRING DIAGRAM AND DATE CODE
*CHANNEL IDENTIFICATION IS REQUIRED

| MECHANICAL CHARACTERISTICS :- | | |
|----------------------------------|-------------|---------------------------------|
| MECHANICAL STROKE ... | Stroke (mm) | 61 +3 , -0 |
| BEARING TYPE... | -- | SLEEVE |
| MAXIMUM OPERATING FORCE... | N | <2 |
| ENVIRONMENTAL CHARACTERISTICS :- | | |
| OPERATING TEMPERATURE... | Degrees C | -50 to +105° |
| PROTECTION CLASS... | IP | 54 |
| LIFE ... | Strokes | 100,000 |
| MATERIALS OF CONSTRUCTION:-- | | |
| HOUSING... | -- | ALUMINUM BLACK ANODIZED |
| SHAFT... | -- | STAINLESS STEEL (NON MAGNETIC) |



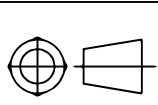
CONDUCTIVE PLASTIC LINEAR MOTION POTENTIOMETER

WT14 TRIPLE TRACK

FIRST ISSUE : 230118 SCALE :1:1

TOLERANCES
DIN-ISO 2768-1 (1991-06)
(TOLERANCE CLASS-MEDIUM)

PART NO
U 149785



CUSTOMER DRAWING REF NO
NA

REV -00

CUSTOMER :

SHEET 1of1