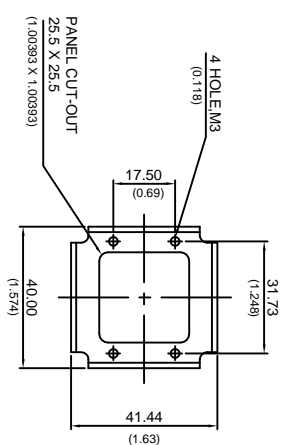
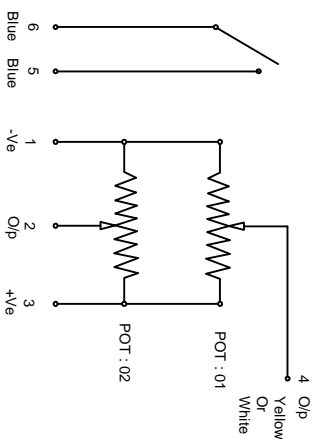
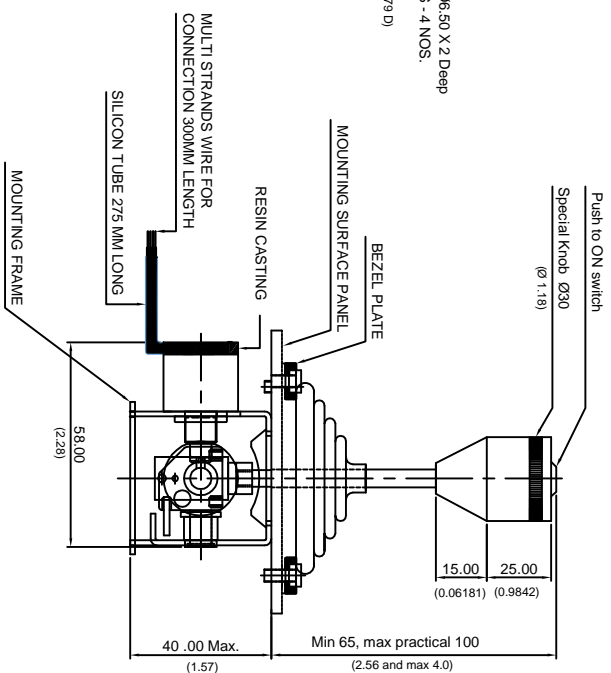
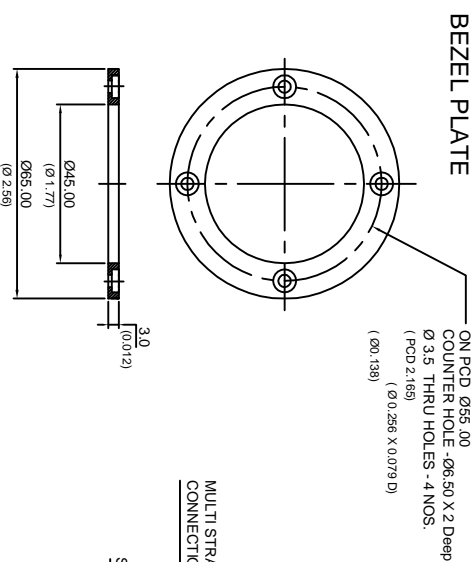


Dimensions :- Metric (Inch)



JOYSTICK CONTROLLER

MODEL PB-J102,6 WIRES (029)

(TWO AXIS WITH PUSH BUTTON)

Uni-Automation (I) Pvt. Ltd.
Tel / Fax : +91 - (020) - 24420890
www.uniautomation.com

FIRST ISSUE : 2009/03/31
SCALE : 2009/03/31

TOLERANCES
DIN-ISO 2768-1 (1991-06)
(TOLERANCE CLASS:MEDIUM)

UAPL PART NO.
169029



CUSTOMER DRAWING REF NO
NA
CUSTOMER : UAPL STANDARD

REV - 00
SHEET 1 OF 1

Features:-

1. Conductive plastic long life resistance element.
2. Anodized Aluminium precision machined body.
3. Precious metal high technology wiper gives noise free output.

ELECTRICAL CHARACTERISTICS :-	UNITS	VALUE
Resistance Element...	--	Conductive Plastic
Resistance Range...	Ohms	5 k
Resistance Tolerance...	±%	20
Best Possible Resi. Tolerance...	±%	10
Standard Independent Linearity Tolerance...(IEC 393)..	±%	2.0
Electrical angle...	Degrees	45° ±5° for both axis
Electrical Dead Zone...	Degrees	5° for both axis
Movement of stick...	Degrees	25 - 0 - 25
Resolution...	--	Essentially infinite
Temperature Coefficient of Resistance(TCR)...	ppm/deg C	± 400
Power Rating @ 70°C...	Watts	1.0
Insulation Resistance @ 500 Vdc...	M Ohms	1000
Dielectric Strength @ 50 Hz...	V ac	500
Maximum Wiper current...	mAmps	1
Short time wiper current 10 sec. ...	mAmps	10
End voltage as a % of applied voltage...	%	Less than 0.5

ENVIRONMENTAL CHARACTERISTICS

Operating Temperature ...	Degree C	-40 to +105
ROHS Compliance ...	--	YES

PERFORMANCE

Life...	No of operation	≥ 1,000,000
---------	-----------------	-------------

MATERIAL OF CONSTRUCTION:-

Housing...	--	Aluminium Anodized
Shaft...	--	Stainless Steel
Terminal...	--	7/36 multi strands Teflon wire (6Wire's)
Mounting facility...	--	Frame & S.S. Plate with M3 tap
Rubber Boot...	--	Nitril Rubber
Mounting Flange...	--	Stainless Steel
Push to ON Switch ...	--	Branded quality